

EN

ZH

MS

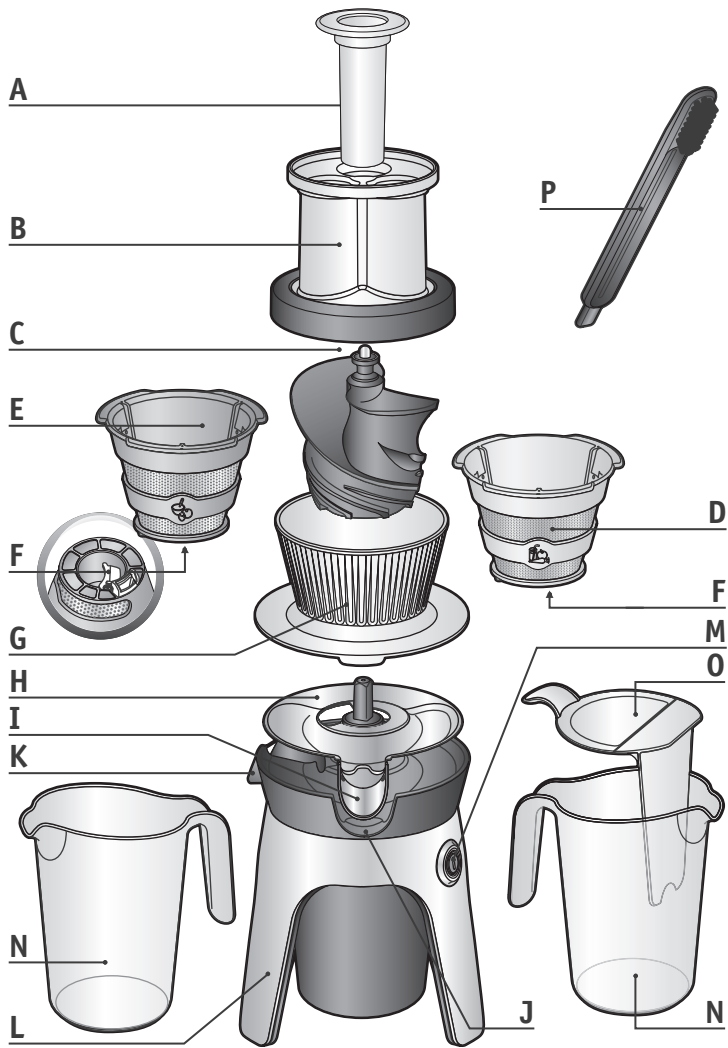
TH

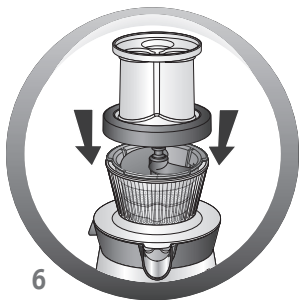
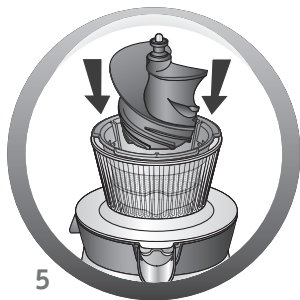
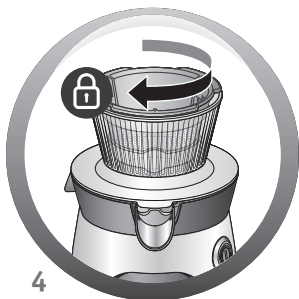
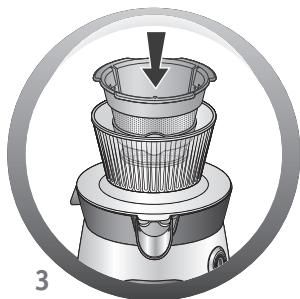
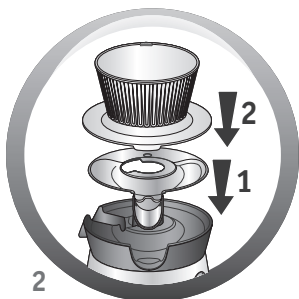
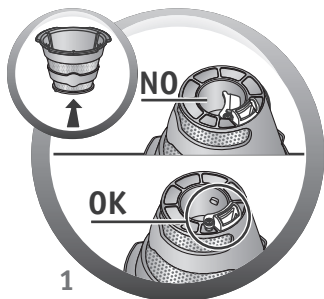
KO

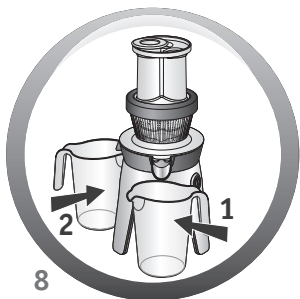
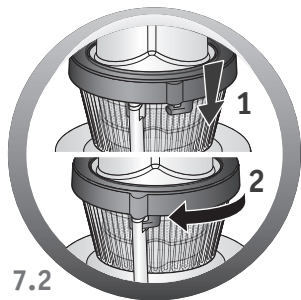
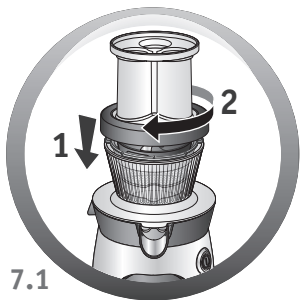
ID

VI

TR







We thank you for having chosen a Tefal appliance.

EN

## DESCRIPTION

- A** Pusher
- B** 3 part feed tube
- C** Pressing stem
- D** Juice filter
- E** Coulis filter
- F** Residue strap (not separable from the filter)
- G** Bowl
- H** Juice collector
- I** Spout with drip-stop system
- J** Juice exit
- K** Residue exit
- L** Motor unit
- M** Start/Stop button
- N** Jugs (one to collect residue and one to collect juice)
- O** Foam separator
- P** Cleaning brush

## SAFETY INSTRUCTIONS

- **Read these instructions for use carefully before using your appliance for the first time and keep them to hand for future reference. Any use of the appliance that does not comply with the instructions will release the manufacturer from any responsibility.**
- This appliance is designed for indoor domestic household use only. In case of professional use, inappropriate use or failure to comply with the instructions, the manufacturer accepts no responsibility and the guarantee does not apply.
- It is not intended to be used in the following cases, which are not covered by the guarantee.
- In kitchens reserved for staff use in shops, offices and other professional environments;
  - On farms;
  - By hotel or motel clients, or on other residential premises;
  - In bed and breakfast accommodation and other similar environments.
- This appliance is suitable for use by children of 8 years and above or by persons without the necessary experience or knowledge or with impaired physical, sensory or mental capacities if they have been trained and are supervised, to ensure that they use the appliance safely and understand the hazards that exist. Children should not be left to play with the appliance. Children should not attempt to clean or service the appliance unless they are aged at least 8 years or older and supervised.
- Please keep the appliance and its power cord out of the reach of children less than 8 years of age.
- Children should be supervised to ensure they do not play with the appliance.
- For your safety, this appliance meets applicable standards and regulations (Directives on Low Voltage, Electromagnetic Compatibility, Materials in contact with food articles, Environment, etc.).
- This appliance is designed to function on AC current only. Before using it for the first time, check that your mains supply voltage matches that indicated on the appliance data plate.
- Any connection error will invalidate your guarantee.
- Given the diverse standards in effect, if the appliance is used in a country other than that in which it is purchased, have it checked by an Approved Service Centre.
- Do not use an extension lead. If you accept liability for doing so, only use an extension lead which is in good condition, has a plug with an earth connection and is suited to the power rating of the appliance.
- This appliance is not intended to function using an external time-switch or a separate remote control system.
- To avoid the risk of electric shock, never use the appliance with wet hands or on a damp or wet surface. Never immerse the motor unit, power cord or plug in water or any other liquid.

- Use the appliance on a flat, stable surface, away from water splashes.
- Never leave the appliance unattended whilst connected to the power supply, even if for a few moments, especially where children are present.
- Do not let the power cord hang where children may reach it.
- Always switch off and disconnect the appliance from the power supply before changing attachments, cleaning & maintenance or when not in use.
- Never disconnect the plug by pulling on the power cord.
- Do not leave the power cord close to or in contact with sources of heat or sharp edges.
- Do not allow long hair, scarves, ties etc. to hang over the appliance or attachments when in use.
- Wait for all moving parts to stop before opening the appliance.
- Do not operate your appliance if any part of it is missing.
- Always use the pusher to guide ingredients into the funnel. Never put your fingers, utensils or any other object into the funnel.
- If your appliance "jams" during operation, switch off, disconnect from the power supply and check that it is not overloaded with ingredients. Carefully remove any obstructions before reconnecting.
- Do not use your appliance if it does not operate correctly, if it has been damaged or if the power cord or plug is damaged. To maintain safety, these parts must be replaced by an Approved Service Centre.
- Any intervention other than normal cleaning and maintenance by the customer must be performed by an Approved Service Centre.
- For your own safety, only use accessories and spare parts from the appliance manufacturer, which are especially designed for your appliance.

## BEFORE FIRST USE

Unpack the appliance and place it on a horizontal, solid and stable work-top, then take it apart completely. Make sure that you have removed all packaging before you start to use the appliance. Wash all the removable parts, rinse them out and dry them carefully: the pusher **(A)**, the feed tube **(B)**, the pressing stem **(C)**, the filters **(D and E)**, the residue strap **(F)**, the bowl **(G)**, the juice collector and the spout with drip-stop **(H and I)**, and the jugs **(N)**.

## USING THE APPLIANCE **Fig. 1 to 7**

Assemble the appliance as indicated on the drawings and choose the filter according to the desired preparation:

Juice filter **(D)** – orange colour) with small holes to make juices.

Coulis filter **(E)** – raspberry colour) with wider holes to make thicker preparations, like coulis.

- During the assembly, make sure that the residue strap is correctly positioned on the filter **(fig.1)**.

## USE

**Before use, wash all pre-treated food products carefully.**

Prepare the full amount of ingredients to be pressed. Most fruit and vegetables do not require peeling or deseeding. Peel only those with thick skin (citrus fruits, bananas, pineapple, melon, passion fruit...). Remove the stones (in peaches, apricots, mangoes...) and the hard cores of pineapples.

Cut up fruit and vegetables that are too large to fit through the feed tubes.

Never put fruit stones, excessively hard foods (ice cubes, sugar cubes), extremely fibrous foods, or meat into your juicer.

Place one jug (N) under the spout (I) and the other jug (N) under the residue exit (K) to collect the pulp (fig. 8). Remember to empty the jug under the residue exit when it is full.

Press the Start/Stop button (M) to turn on the appliance, place the food in the feed tubes (B) and push them down using the pusher (A). Make sure that the spout (I) is in the "low" position (juice flow).

**The fruit and vegetables must only be inserted while the motor is running.**

**Never use your fingers or other utensils to push food through the spout.**

**Do not press too hard on the pusher (A).**

Once the ingredients have passed through, let the appliance turn for a few more seconds in order to obtain the maximum amount of juice.

**We recommend that you do not use the appliance continuously for over 20 minutes.**

After making your juice, activate the drip-stop system by pushing the spout up before removing the jug to stop the flow of the juice.

If the juice contains froth, you can fit the foam separator accessory (O), onto the jug (N) which allows you to keep the froth inside the jug when you pour out the juice into a glass (fig. 9).

### Practical tips when choosing ingredients:

- Choose fruit and vegetables that are best for juicing such as oranges, apples, pears, pineapple, grapes, tomatoes, carrots, celery, cucumber, beetroot ...
- It is difficult to extract juice from some fruit and vegetables such as bananas, avocados, aubergines and figs.
- When you press less juicy fruit (like bananas) and aromatic herbs, alternate with other juicy fruits or vegetables in order to facilitate extraction. Always finish with juicy fruit or vegetables.
- When you press long leaf herbs (such as wheatgrass), cut the leaves in 3 cm pieces in order to keep them from getting tangled around the pressing stem. Press a maximum of 400 g of herbs at a time.
- Out of season, you can use frozen fruit. Let them thaw completely before pressing. You can also use fruit with syrup (lychees, peaches...).

## CLEANING

### Between 2 preparations

It is enough to rinse the appliance without taking it apart by pouring water gradually into the feed funnel (B), with the appliance on. Make sure that you have placed an empty jug (N) under the juice exit. You can then make one juice immediately after the other!

### After use

**Cleaning must be carried out immediately after use.**

Make sure that the appliance is disconnected.

Never immerse the motor unit (L), power cord or plug in water or any other liquid.

Do not put the motor unit (L) in the dishwasher.

Take apart and clean all the removable parts, filters (D-E) (If necessary, use the brush (P), to clean the residue strap (F) (inseparable from the filter but you should slide open the silicone cover for cleaning purposes; if necessary, also use the end of the brush (P) to clean this area and then close the silicone cover. The brush can also be used to clean the bowl (G), juice collector (H) with spout with drip-stop (I).

Make sure to clean the inside of the stem (C) carefully; if necessary, use the brush (P).

Clean the residue exit (K) with a lightly moist and non-abrasive sponge.

The pusher **(A)**, the feed tube **(B)**, the bowl **(G)**, the stem **(C)**, the juice collector **(H)** with the spout with drip-stop **(I)**, the jugs **(N)**, and the foam separator **(O)** can all go into the dishwasher. If the filters **(D/E)** are clogged, prewash them with warm water and washing up liquid and use the brush **(P)**. If the filter residue exit is clogged, remove the residues using the other end of the brush **(P)**. Do not clean the juice collector **(H)**, the spout with drip-stop **(I)**, the plastic parts (bowl **(G)**), food presser **(A)**, feed tube **(B)**) with the abrasive side of the sponge.

Tips: To extract the stem **(C)** from the filter **(D/E)**, turn both pieces together and then press on the stem.

## WHAT TO DO IF YOUR APPLIANCE DOES NOT WORK

PROBLEMS	SOLUTIONS
The appliance does not turn on	<ul style="list-style-type: none"> <li>- Make sure that all parts are correctly assembled.</li> <li>- Make sure that your appliance is properly plugged in.</li> <li>- Check that the feed tube <b>(B)</b> is correctly locked in position.</li> </ul>
The appliance stops suddenly while functioning: the red light flashes	<ul style="list-style-type: none"> <li>- Press the Start/Stop button <b>(M)</b> to switch off the appliance.</li> <li>- Start your appliance again. If the safety mechanism shuts the appliance off again, take it apart, clean it and turn it on again.</li> <li>- Make sure that the stem <b>(C)</b> is not blocked.</li> </ul>
The appliance turns off: the white light flashes	<ul style="list-style-type: none"> <li>- This is a safety mechanism. We recommend that you let the appliance cool down for a few minutes, clean it, and then restart it by pressing the Start/Stop button <b>(M)</b>.</li> </ul>
Poor juice extraction	<ul style="list-style-type: none"> <li>- Clean the appliance: wash, rinse out and dry: the feed tube <b>(B)</b>, the pressing stem <b>(C)</b>, the filter <b>(D or E)</b>, the residue strap <b>(F)</b>, the bowl <b>(G)</b>, the jugs, and the spout <b>(H and I)</b>.</li> <li>- Make sure that the strap <b>(F)</b> is correctly positioned on the filter (to collect residues) and that it is in good condition.</li> </ul>
Problems related to leaking	<ul style="list-style-type: none"> <li>- Check that all parts are correctly assembled, especially the 'spout with drip-stop <b>(I)</b>.</li> </ul>

## END-OF-LIFE ELECTRICAL OR ELECTRONIC PRODUCTS



### Think of the environment!

① Your appliance contains valuable materials which can be recovered or recycled.

➡ Leave it at a local civic waste collection point.



多謝選用Tefal產品。

## 說明

A	推管	J	汁液出口
B	三合一進料器	K	渣滓出口
C	壓桿	L	馬達座
D	果汁濾隔	M	開關掣
E	蔬果漿濾隔	N	壺 (一個渣滓收集壺、一個集汁壺)
F	渣滓盤 (不能從濾隔拆除)	O	泡隔
G	容碗	P	清潔刷
H	集汁器		
I	防滴倒嘴		

## 安全事項

- 首次使用榨汁機之前請先閱讀這份說明書，並且妥為保存供日後參閱。若不遵照指示使用，製造商可免除任何責任。
- 榨汁機只供家居室內用途，倘用作專業用途、使用不當或沒有遵照使用說明，生產商一概不負責任，而保用條款亦不適用。
- 榨汁機並非供以下類似的情況使用，而保用條款亦不適用於該些情況。
- 商舖、寫字樓和其他工作環境的職工廚房；
  - 農舍；
  - 客人在酒店、汽車旅館及其他住宅式環境使用；
  - 床上或用早餐或其他類似的環境。
- 榨汁機可供八歲及以上的兒童、缺乏有關經驗和知識的人、或身體、感官或智力弱者使用，惟他們必需受過訓練，懂得完全安全使用榨汁機及知道榨汁機會涉及的危險。不得讓兒童將榨汁機用作戲耍。不得由兒童負責清潔及保養榨汁機，惟可以由八歲及以上的兒童在有成人監督的情況下進行。
- 請將榨汁機及電源線放在八歲以下的兒童接觸不到的地方。
- 請監督兒童，以確保兒童不會將榨汁機用作戲耍
- 為確保安全，榨汁機已符合適用的標準和規例(低電壓指令、電磁相容、食物接觸物料規例和環保規例等等)。
- 榨汁機只是利用交流電操作。請核對數據標籤上標示的電壓是否跟您家的電力裝置相符。
- 如果電源接駁不當，保用將會失效。
- 由於各國採用的標準不同，因此若購買榨汁機後在別國使用，使用前請先交由認可的服務中心檢驗。
- 切勿使用拖板。如要使用拖板，責任須自負，而且拖板的電源插必需狀況良好、有接地和配合榨汁機的電壓。
- 榨汁機並非供利用外置計時器或獨立遙控系統操作。
- 為免觸電，手濕時切勿操作榨汁機，也不要潮濕或任何濕的表面上使用榨汁機。切勿將馬達座、電源線或插頭浸入水或任何液體中。
- 請將榨汁機放在平坦的穩固表面使用，不要讓水濺到榨汁機上。

- 接上電源後切勿將榨汁機置之不理，即使只是一會兒也不可以，特別是當有兒童在場。
- 切勿讓電源線懸垂在兒童可觸及的地方。
- 在更換配件、清潔、進行保養程序之前或不使用榨汁機時，必須關機並且拔掉電源線。
- 拔掉電源線時切勿拉扯電線借力。
- 不得將電源線放近或接觸發熱源或尖角或銳利的邊。
- 使用時切勿讓長髮、絲巾、領呔等物件懸垂在榨汁機或配件之上。
- 必須等所有活動部分完全停頓才可以打開榨汁機。
- 如果任何一件組件不齊全，切勿使用榨汁機。
- 必須用推管將食材導入進口，切勿用手指、器皿或任何物體導入食材。
- 如果榨汁機在操作期間「塞」了，請先關機並且拔掉電源線，才檢查是否放入過量食材。請小心移除障礙物才再接駁電源。
- 若榨汁機操作不正確、榨汁機損壞了或電源線或插頭損毀，切勿使用。為確保安全，必須只交由認可的服務中心更換損壞的組件。
- 除顧客進行日常清潔和保養以外，其他要打開榨汁機而進行的程序一律須由認可的服務中心進行。
- 為確保個人安全，請只使用由製造商為榨汁機特別設計的配件和零件。

## 首次使用之前

拆開包裝，將榨汁機放在平坦穩固的工作面，然後拆出組件。使用之前必須先移除一切包裝，並且清洗所有可拆除的組件。請徹底沖洗乾淨以下組件然後風乾：推管(A)、進料器(B)、壓桿(C)、濾隔(D及E)、渣滓盤(F)、容碗(G)、集汁器及防滴倒嘴(H及I)和壺(N)。

## 使用榨汁機 圖 1 至 7

依照圖的指示組裝榨汁機，並根據製備的食材選擇濾隔：

果汁濾隔(D - 橙色)：有細孔供榨汁。

蔬果漿濾隔(E - 桑紅色)：有大孔供製備蔬果漿等濃稠漿汁。

- 組裝時必須將渣滓盤正確安裝在濾隔上(圖1)。

## 使用榨汁機

使用之前必須先徹底預先洗淨一切食材。

先備妥一切要壓榨的材料。大部分水果和蔬菜都不需要去皮或去籽，您只須去除厚皮(柑橘類水果、香蕉、鳳梨、瓜類和百香果等等)、大粒果核(桃、杏和芒果等等)和鳳梨的果眼。

將體積過大而無法放入進料管的蔬果切成細粒。

切勿將果核、太硬的食物(例如冰塊或方糖)、纖維量過多的食物或肉類放入榨汁機。

將一個壺(N)放在倒嘴(I)之下，將另一個壺(N)放在渣滓出口(K)之下，以收集漿汁(圖8)。若放在渣滓出口之下的壺裝滿了，請立刻清倒。

按動開關掣(M)啟動榨汁機。將食材放入進料器(B)，再用推管(A)推入。請檢查倒嘴(I)是否「向下」(讓果汁流下)。

必須在馬達開動時放入蔬果。  
切勿用手指或任何器皿將食材通過倒嘴推入。  
切勿太大力推壓推管(A)。

將材料全部推入後讓榨汁機操作多數秒，以盡量收集果汁。

建議不要連續操作榨汁機超過20分鐘。

為防止果汁流淌，榨汁後請將倒嘴向上推以啟動防滴系統才將壺移離。

若果汁有泡，請將泡隔(O)安裝在壺。安裝後，將果汁倒入杯時，泡隔會將泡隔留在壺內(圖9)。

## 選用材料實用提示：

- 選用最適宜榨汁的水果，例如橙、蘋果、梨、鳳梨、提子、蕃茄、甘筍、芹菜、黃瓜和甜菜根。
- 某些蔬果很難榨汁，例如香蕉、牛油果、茄子和無花果。
- 用含汁量少的水果(例如香蕉)和香草榨汁時，請跟其他多汁的水果或蔬菜交替，以方便榨汁，最後一次必須以多汁的水果或蔬菜榨汁。
- 用長葉香草(例如小麥草)榨汁時，請先將香草切成段，每段長3公分，因為過長會纏結在壓桿上。每次請只榨壓400克的香草。
- 不當造時可以用急凍蔬果，但榨汁前必須先徹底解凍。榨汁機也可以處理汁濃的水果(例如荔枝和桃)。

## 清潔

### 兩次榨汁之間

無需拆開組件，讓機器開動然後將水慢慢倒入進料器(B)沖洗便可。必須在果汁出口之下放空壺(N)。每榨汁一次便可以接著榨另一次！

### 使用之後

每次使用後必須立刻清潔。

必須先拔掉插頭。

切勿將馬達座(L)、電源線或插頭浸入水或任何液體中。

切勿將馬達座(L)放入洗碗碟機清洗。

拆出所有可拆除的組件來清洗：濾隔(D-E) (若有需要可以用清潔刷(P))、渣滓盤(F) (雖然不能從濾隔拆出，但可以移出來清潔，若有需要可以用清潔刷(P)的末端來清潔)、容碗(G)和有防滴倒嘴(I)的集汁器(H)。

必須徹底清潔壓桿(C)的內部，若有需要可以用清潔刷(P)。

用微濕的不磨損海棉清潔渣滓出口(K)。

推管(A)、進料器(B)、容碗(G)、壓桿(C)、集汁器(H)、有防滴倒嘴(I)的集汁器、壺(N)和泡隔(O)全部可以放入洗碗碟機清洗。如果濾隔(D/E)塞了，請先用清潔刷(P)和暖水加清潔液洗一次。如果渣滓盤的出口塞了，可以用清潔刷(P)的末端清除渣滓。

切勿用會磨損的海棉清潔集汁器(H)、防滴倒嘴(I)、塑膠配件(容碗(G)、推管(A)和進料器(B))。

提示：要將壓桿(C)從濾隔(D/E)移除，請同時扭動兩者，然後將壓桿向下壓。

## 榨汁機不操作怎麼辦？

問題	解決方法
無法啟動	<ul style="list-style-type: none"><li>- 檢查是否已經正確組裝各個部分。</li><li>- 檢查插頭是否已經插妥。</li><li>- 檢查進料器<b>(B)</b>是否已經正確鎖緊。</li></ul>
榨汁機在操作時突然停頓： 紅燈閃動	<ul style="list-style-type: none"><li>- 按動開關掣<b>(M)</b>關機。</li><li>- 再次啟動榨汁機。如果安全機制再次關掉榨汁機，請拆散組件，清潔組件後裝好再開機。</li><li>- 檢查壓桿<b>(C)</b>有沒有堵塞。</li></ul>
榨汁機關掉：白燈閃動	<ul style="list-style-type: none"><li>- 這是安全機制。建議讓榨汁機放涼數分鐘，清潔後按動開關掣<b>(M)</b>重新開機。</li></ul>
榨汁效果不理想	<ul style="list-style-type: none"><li>- 清潔榨汁機：用水清洗、沖淨然後抹乾：進料器<b>(B)</b>、壓桿<b>(C)</b>、濾隔<b>(D或E)</b>、渣滓盤<b>(F)</b>、容碗<b>(G)</b>、壺和倒嘴<b>(H和I)</b>。</li><li>- 必須將渣滓盤<b>(F)</b>正確安裝在濾隔上(供收集渣滓)，而且渣滓盤必須完好無損。</li></ul>
跟防漏有關的問題	<ul style="list-style-type: none"><li>- 檢查是否已經正確組裝各個部分，特別是「防滴倒嘴<b>(I)</b>」。</li></ul>

## 不能再用的電子產品或電器



保護環境為上！

- ① 本產品有可以回收或循環再造的物料。
- ➔ 請將之送往當地的廢物收集站。

Kami berterima kasih kerana anda memilih peralatan Tefal.

## KETERANGAN

- |  |  |
|--|--|
| <b>A</b> Penolak   | <b>I</b> Pancutan dengan sistem penghenti-titisan                                |
| <b>B</b> tiub suapan 3 bahagian                              | <b>J</b> Corong keluar jus   |
| <b>C</b> Batang penekan                                      | <b>K</b> Corong keluar sisa  |
| <b>D</b> Penapis jus   | <b>L</b> Unit motor  |
| <b>E</b> Penapis coulis                                      | <b>M</b> Butang Start/Stop   |
| <b>F</b> Tali sisa (tidak boleh dipisahkan daripada penapis) | <b>N</b> Jag (satu untuk mengumpulkan sisa dan satu lagi untuk mengumpulkan jus) |
| <b>G</b> Mangkuk   | <b>O</b> Pengasing buih  |
| <b>H</b> Pengumpul jus                                       | <b>P</b> Berus pencuci   |

## ARAHAN KESELAMATAN

- **Baca arahan-arahan penggunaan ini dengan teliti sebelum menggunakan peralatan anda buat pertama kali dan simpannya untuk rujukan di masa hadapan. Sebarang penggunaan peralatan yang tidak mematuhi arahan-arahan ini akan membebaskan pengilang daripada sebarang tanggungjawab.**
- Peralatan ini direka untuk penggunaan domestik isi rumah di dalam rumah di dalam rumah sahaja. Dalam kes penggunaan profesional, penggunaan yang tidak wajar atau kegagalan untuk mematuhi arahan, pengilang tidak akan bertanggungjawab dan jaminan tidak akan terpakai.
- Ia bukan untuk digunakan dalam kes-kes berikut, yang mana tidak dilindungi oleh jaminan.
- Dalam dapur yang dikhaskan untuk kegunaan staf di kedai, pejabat dan persekitaran profesional yang lain;
  - Di ladang;
  - Oleh klien hotel dan motel, atau di premis-premis kediaman yang lain;
  - Dalam persekitaran penginapan dan sarapan serta persekitaran lain yang serupa.
- Peralatan ini sesuai untuk digunakan oleh kanak-kanak berusia 8 tahun ke atas atau oleh orang yang tidak memiliki pengalaman atau pengetahuan yang sepatutnya atau yang kekurangan keupayaan fizikal, deria atau mental jika mereka telah dilatih dan diawasi, bagi memastikan mereka menggunakan peralatan secara selamat dan mereka memahami bahaya yang terdapat. Kanak-kanak tidak harus dibiarkan bermain dengan peralatan. Kanak-kanak tidak patut mencuba untuk mencuci atau menyenggara peralatan kecuali mereka berusia sekurang-kurangnya 8 tahun dan diawasi.
- Sila jauhkan peralatan dan kord kuasa daripada capaian kanak-kanak yang berusia kurang dari 8 tahun.
- Kanak-kanak patut diawasi bagi memastikan mereka tidak bermain dengan peralatan.
- Untuk keselamatan anda, peralatan ini memenuhi standard dan peraturan yang terpakai (Arahan mengenai Voltan Rendah, Keserasian Elektromagnetic, Bahan yang bersentuhan dengan bahan-bahan makanan, Alam Sekitar, dsb).
- Peralatan ini direka untuk berfungsi dengan arus AC sahaja. Sebelum menggunakannya buat pertama kali, pastikan bahawa voltan bekalan utama anda sepadan dengan yang ditunjukkan pada plat data peralatan.
- Sebarang ralat penyambungan akan membatalkan jaminan anda.
- Memandangkan standard-standard berbeza yang berkuatkuasa, jika peralatan digunakan di negara lain selain dari negara pembeliannya, pastikan ia diperiksa oleh Pusat Perkhidmatan Berdaftar.
- Jangan menggunakan wayar sambungan. Jika anda menerima liabiliti kerana berbuat demikian, hanya gunakan wayar sambungan yang berkeadaan baik, mempunyai palam dengan sambungan bumi dan sesuai dengan perkadaran kuasa peralatan.
- Peralatan ini bukan untuk berfungsi dengan menggunakan sistem suis masa luaran atau sistem kawalan jauh yang berasingan.
- Untuk mengelakkan risiko kejutan elektrik, jangan sesekali menggunakan peralatan dengan tangan

yang basah atau di atas permukaan yang lembap atau basah. Jangan sesekali merendam unit motor, kord tenaga atau palam dalam air atau sebarang cecair lain.

- Gunakan peralatan di atas permukaan yang rata dan stabil, jauh daripada percikan air.
- Jangan biarkan peralatan begitu saja ketika ia bersambung dengan bekalan kuasa, walaupun hanya untuk seketika, terutama sekali jika terdapat kanak-kanak berhampiran.
- Jangan biarkan kord tenaga tergantung di tempat yang boleh dicapai oleh kanak-kanak.
- Sentiasa mematikan dan mencabut palam peralatan daripada bekalan kuasa sebelum menukar penyambungan, mencuci & menyenggara atau apabila tidak digunakan.
- Jangan sesekali mencabut palam peralatan dengan menarik kord.
- Jangan membiarkan kord kuasa berdekatan dengan atau bersentuhan dengan sumber haba atau penjurong yang tajam.
- Jangan membiarkan rambut yang panjang, tali leher, dsb. terjuntai di atas peralatan atau penyambungan sewaktu ia sedang beroperasi.
- Tunggu sehingga setiap bahagian yang sedang bergerak berhenti sebelum membuka peralatan.
- Jangan mengendalikan peralatan anda jika sebarang bahagiannya hilang.
- Sentiasa menggunakan penolak untuk memandu ramuan ke dalam corong. Jangan sesekali memasukkan jari anda, perkakas dapur atau sebarang objek lain ke dalam corong.
- Jika peralatan anda "tersekat" semasa pengendalian, matikan, cabut palam bekalan kuasa dan pastikan bahawa ia tidak terlampau penuh dengan ramuan. Alihkan sebarang halangan dengan berhati-hati sebelum menyambung semula.
- Jangan menggunakan peralatan anda jika ia tidak berfungsi dengan betul, jika ia telah rosak atau jika kord kuasa atau palam telah rosak. Untuk mengekalkan keselamatan, bahagian-bahagian ini mestilah digantikan dengan Pusat Perkhidmatan Berdaftar.
- Sebarang campur tangan selain daripada pencucian dan penyenggaraan biasa oleh pelanggan, mestilah dilaksanakan oleh Pusat Perkhidmatan Berdaftar.
- Untuk keselamatan anda sendiri, hanya gunakan aksesori dan alat-alat ganti daripada pengeluar peralatan, yang mana direka khusus untuk peralatan anda.

## SEBELUM PENGGUNAAN KALI PERTAMA

Buka bungkus peralatan dan letakkannya di atas permukaan kerja yang keras dan stabil secara mendatar, kemudian tanggalkannya sepenuhnya. Pastikan anda telah membuka semua pembungkus sebelum anda mula menggunakan peralatan. Basuh semua bahagian yang boleh ditanggalkan, bilasnya dan keringkan dengan teliti: penolak (**A**), tiub suapan (**B**), batang penekan (**C**), penapis (**D dan E**), tali sisa (**F**), mangkuk (**G**), pengumpul jus dan pancutan dengan sistem penghenti-titis (**H dan I**), dan jag (**N**).

## MENGGUNAKAN PERALATAN **Gambarajah 1 hingga 7**

Pasang peralatan seperti yang ditunjukkan pada lukisan dan pilih penapis mengikut penyediaan yang diinginkan:

Penapis jus (**D** – warna oren) dengan lubang-lubang kecil untuk membuat jus.

Penapis coulis (**E** - warna raspberi) dengan lubang-lubang yang lebih besar untuk membuat penyediaan yang lebih pekat, seperti coulis.

- Semasa pemasangan, pastikan tali sisa dipasang dengan betul pada penapis (**gambarajah 1**).

## PENGGUNAAN

**Sebelum menggunakan, basuh semua produk makanan yang dipra-rawat dengan teliti.**

Sediakan jumlah penuh ramuan yang akan ditekan. Kebanyakan buah dan sayuran tidak perlu dikupas atau dibuang bijinya. Kupas hanya buah-buahan yang mempunyai kulit yang tebal (buah-buahan

sitrus, pisang, nenas, tembikai, buah markisah...). Keluarkan biji (dalam buah pic, aprikot, mangga...) dan teras nenas yang keras.

Potong buah dan sayuran yang terlampau besar untuk dimasukkan ke dalam tiub suapan.

Jangan memasukkan biji buah, makanan yang amat keras (kiub ais, kiub gula), makanan yang amat berserat, atau daging ke dalam mesin jus anda.

Letakkan satu jag (**N**) di bawah pancutan (**I**) dan jag yang lain (**N**) di bawah corong keluar sisa (**K**) untuk mengumpulkan sari (**gambarajah 8**). Jangan lupa untuk mengosongkan mengosongkan jag yang dibawah corong keluar sisa apabila ianya penuh.

Tekan butang Start/Stop (**M**) untuk menghidupkan peralatan, letakkan makanan ke dalam tiub suapan (**B**) dan tolaknya ke bawah menggunakan penolak (**A**). Pastikan bahawa pancutan (**I**) berada dalam kedudukan "Low" (aliran jus).

**Buah dan sayuran mestilah hanya dimasukkan semasa motor sedang berfungsi.**

**Jangan menggunakan jari anda atau lain-lain perkakas dapur untuk menolak makanan melalui pancutan.**

**Jangan menekan penolak terlampau kuat (A).**

Sebaik sahaja ramuan telah melepasi, biarkan peralatan berjalan untuk beberapa saat lagi bagi mendapatkan jumlah jus yang maksimum.

**Kami mengesyorkan agar anda tidak menggunakan peralatan secara berterusan melebihi dari 20 minit.**

Selepas membuat jus anda, aktifkan sistem penghenti-titisan dengan menolak pancutan ke atas sebelum menanggalkan jag untuk memberhentikan aliran jus.

Jika jus mengandungi buih, anda boleh memasang aksesori pengasing buih (**O**), di atas jag (**N**) yang membolehkan anda menyaring buih semasa anda menuangkan jus ke dalam gelas (**gambarajah 9**).

### **Tip-tip praktikal apabila memilih ramuan:**

- Pilih buah dan sayuran yang paling sesuai untuk dijadikan jus seperti oren, epal, pear, nenas, anggur, tomato, lobak merah, saderi, timun, ubi bit.
- Adalah sukar untuk mengekstrak jus daripada beberapa jenis buah dan sayuran seperti pisang, avokado, terung ungu dan buah ara.
- Apabila anda menekan buah yang kurang berjus (Seperti pisang) dan herba-herba beraroma, selang selikan dengan buah-buahan atau sayuran lain yang berjus bagi memudahkan pengekstrakan. Sentiasa tamatkan dengan buah atau sayuran berjus.
- Apabila anda menekan herba-herba berdaun panjang (seperti wheatgrass), potong daun tersebut sepanjang 3 cm bagi mengelakkannya terbelit di sekeliling batang penekan. Tekan maksimum hanya sebanyak 400 g herba pada satu-satu masa.
- Jika diluar musim, anda boleh menggunakan buah yang didingin beku. Biarkannya cair sepenuhnya sebelum menekan. Anda juga boleh menggunakan buah dengan sirap (Laici, pic...).

## **MENCUCI**

### **Di antara 2 penyediaan**

Cukup sekadar membilas peralatan tanpa menanggalkannya dengan mencurahkan air sedikit demi sedikit ke dalam corong suapan (**B**), dengan peralatan masih terpasang. Pastikan anda telah meletakkan jag kosong di bawah corong keluar jus. Anda boleh membuat jus lain dengan segera selepas selesai membuat satu jus!

### **Selepas penggunaan**

**Peralatan mesti dicuci segera selepas digunakan.**

Pastikan peralatan telah dicabut palam.

Jangan sesekali merendam unit motor (**L**), kord tenaga atau palam dalam air atau sebarang Cecair lain. Jangan memasukkan unit motor (**L**) ke dalam mesin basuh pinggan mangkuk.

Tanggalkan dan cuci semua bahagian yang boleh ditanggal: penapis (**D-E**) (jika perlu, gunakan berus (**P**)), tali sisa (**F**) (tidak boleh dipisahkan daripada penapis tetapi boleh ditanggalkan untuk tujuan

pencucian; jika perlu, gunakan bahagian belakang berus (**P**), mangkuk (**G**), pengumpul jus (**H**) berserta pancutan dengan penghenti-titisan (**I**).

Pastikan untuk mencuci bahagian dalam batang (**C**) dengan teliti; jika perlu, menggunakan berus (**P**). Cuci corong keluar sisa (**K**) dengan span yang sedikit lembap dan tidak melelas.

Penolak (**A**), tiub suapan (**B**), mangkuk (**G**), batang (**C**), pengumpul jus (**H**) berserta pancutan dengan penghenti-titisan (**I**), jag (**N**), pengasing buih (**O**) semuanya boleh dimasukkan ke dalam mesin basuh pinggan mangkuk. Jika penapis (**D/E**) tersumbat, basuhnya terlebih dulu dengan air suam dan cair pencuci serta gunakan berus (**P**). Jika corong keluar penapis sisa tersumbat, keluarkan sisa dengan menggunakan bahagian belakang berus (**P**).

Jangan mencuci pengumpul jus (**H**), pancutan dengan penghenti-titisan (**I**), bahagian-bahagian plastik (mangkuk (**G**), penekan makanan (**A**), tiub suapan (**B**)) dengan bahagian span yang melelas.

Tip: Untuk mengeluarkan batang (**C**) daripada penapis (**D/E**), pusing kedua-dua bahagian bersama dan kemudian tekan batang.

## APA YANG PERLU DILAKUKAN JIKA PERALATAN ANDA TIDAK BERFUNGSI

MASALAH	PENYELESAIAN
Peralatan tidak hidup	<ul style="list-style-type: none"><li>- Pastikan semua bahagian dipasang dengan betul.</li><li>- Pastikan palam peralatan dimasukkan ke soket dengan betul.</li><li>- Pastikan bahawa tiub suapan (<b>B</b>) dikunci kedudukannya dengan betul.</li></ul>
Peralatan tiba-tiba terhenti seawaktu sedang berfungsi: lampu merah berdenyar	<ul style="list-style-type: none"><li>- Tekan butang Start/Stop (<b>M</b>) untuk mematikan peralatan.</li><li>- Hidupkan peralatan anda sekali lagi. Jika mekanisme keselamatan mematikan peralatan sekali lagi, tanggalkannya, bersihkan dan hidupkannya sekali lagi.</li><li>- Pastikan batang (<b>C</b>) tidak tersekat.</li></ul>
Peralatan mati: lampu putih berdenyar	<ul style="list-style-type: none"><li>- Ini adalah mekanisme keselamatan. Kami mengesyorkan anda membiarkan peralatan menyejuk untuk beberapa minit, bersihkannya, dan kemudian menghidupkannya semula dengan menekan butang Start/Stop (<b>M</b>).</li></ul>
Pengekstrakan jus yang lemah	<ul style="list-style-type: none"><li>- Bersihkan peralatan: Basuh, bilas dan keringkan: tiub suapan (<b>B</b>), batang penekan (<b>C</b>), penapis (<b>D atau E</b>), tali sisa (<b>F</b>), mangkuk (<b>G</b>), jag dan pancutan (<b>H dan I</b>).</li><li>- Pastikan tali (<b>F</b>) dipasang dengan betul pada penapis (untuk mengumpulkan sisa) dan bahawa ianya berkeadaan baik.</li></ul>
Masalah berkaitan dengan kedap air	<ul style="list-style-type: none"><li>- Pastikan bahawa semua bahagian dipasang dengan betul, terutama sekali pancutan dengan penghenti-titisan (<b>I</b>).</li></ul>

## TEMPOH HAYAT PRODUK ELEKTRIK ATAU ELEKTRONIK



### Fikirkan alam sekitar!

- ① Peralatan anda mengandungi bahan berharga yang boleh ditebus guna atau dikitar semula.
- ➡ Tinggalkannya di tempat pengumpulan bahan terbuang sivik tempatan.



ขอขอบคุณที่เลือก Tefal

## คำอธิบาย

- |  |  |
|--|--|
| A ที่กด  | J ช่องปลอยน้ำผักผลไม้                                  |
| B ช่องใส่อาหาร 3 ช่อง                                    | K ช่องปลอยกาก  |
| C เกลียวกด   | L ชุดมอเตอร์   |
| D ตัวกรองน้ำผักผลไม้                                     | M ปุ่ม เริ่ม/หยุด                                      |
| E ตัวกรองแบบทยายสำหรับคั้นเนื้อ                          | N โถ   |
| F ลินสำหรับช่องปลอยกาก<br>(ไม่สามารถถอดแยกจากตัวกรองได้) | (ใบหนึ่งเพื่อเก็บกากและอีกใบหนึ่งเพื่อเก็บน้ำผักผลไม้) |
| G โถ   | O ตัวกรองฟอง   |
| H ภาตรองน้ำผักผลไม้                                      | P แปรงทำความสะอาด                                      |
| I ช่องปลอยน้ำ พรอมระบบกันน้ำหยด                          |  |

TH

## คำแนะนำเพื่อความปลอดภัย

- อ่านคำแนะนำการใช้อย่างละเอียดก่อนใช้งานครั้งแรก และเก็บไว้สำหรับนำมาดูครั้งถัดไป บริษัทผู้ผลิตจะไม่รับผิดชอบต่อการใช้เครื่องที่ไม่เป็นไปตามคำแนะนำ
- เครื่องนี้ออกแบบสำหรับการใช้งานในครัวเรือนเท่านั้น บริษัทผู้ผลิตไม่รับผิดชอบและไม่รับประกันใดๆ ต่อการใช้เพื่อการประกอบอาชีพ การใช้ที่ไม่เหมาะสม หรือการไม่ปฏิบัติตามคำแนะนำ
- บริษัทผู้ผลิตไม่รับประกันในกรณีทำงานดังต่อไปนี้
- การใช้ในครัว รานคา สำนักงาน และสภาพแวดล้อมการทำงานอื่นๆ
  - ในฟาร์ม
  - ในโรงแรมหรือโมเต็ล โดยลูกค้า หรือที่พักรักษาภัยแบบอื่นๆ
  - ในที่พักพรอมอาหารเขาและสภาพแวดล้อมที่คล้ายคลึงกัน
- เครื่องนี้เหมาะสำหรับการใช้งานโดยเด็กที่มีอายุตั้งแต่ 8 ปีขึ้นไป หรือบุคคลที่ขาดประสบการณ์หรือที่มีความสามารถทางกายภาพ ความสามารถทางการรับรู้ หรือความสามารถทางสมองบกพรอง หากได้รับการฝึกฝนหรือการควบคุมดูแล เพื่อใหมัน้ใจว่าใช้เครื่องอย่างปลอดภัย และเขาใจอันตรายที่อาจเกิดขึ้น ไม่ควรปล่อยให้เด็กเล่นเครื่อง เด็กไม่ควรทำความสะอาดหรือใช้เครื่องหากมีอายุต่ำกว่า 8 ปี หรือไม่ได้รับการควบคุมดูแล
- กรุณาเก็บเครื่องและสายไฟให้ห่างจากมือเด็กที่มีอายุต่ำกว่า 8 ปี
- เด็กควรได้รับการควบคุมดูแลเพื่อใหมัน้ใจว่าไม่เล่นเครื่อง
- เพื่อความปลอดภัย เครื่องนี้เป็นไปตามมาตรฐานและระเบียบข้อบังคับ (ว่าด้วยแรงดันไฟฟ้าต่ำ ความเขากันไคทางแม่เหล็กไฟฟ้า วัสดุที่สัมผัสกับอาหาร สิ่งแวดล้อม ฯลฯ)
- เครื่องนี้ออกแบบสำหรับการใช้งานกับกระแสไฟฟ้าสลับเท่านั้น ก่อนใช้ครั้งแรก ให้ตรวจสอบวาระบบไฟฟ้าที่ใช้ตรงกับที่ระบุไว้ในแผนข้อมูลของเครื่อง
- ความผิดพลาดในการเชื่อมต่อทำให้การรับประกันเป็นโมฆะ
- มาตรฐานต่างๆ ที่ระบุไว้มีผลบังคับ หากต้องใช้เครื่องในประเทศอื่นนอกเหนือจากประเทศที่ซื้อ ให้ตรวจสอบกับศูนย์บริการที่ได้รับการรับรอง
- อย่าให้สายพวง หากไม่สามารถหลีกเลี่ยง ให้ใช้เฉพาะสายพวงที่อยู่ในภาพ มีปลั๊กต่อกับสายดิน และใช้ต่อกับอู้ตรากำลังไฟของเครื่อง
- เครื่องนี้ไม่ได้ออกแบบให้ใช้กับสวิตช่นอกหรือระบบบริโมทคอนโทรลแยก

- หลีกเลี่ยงความเสี่ยงจากไฟฟ้าช็อต อย่าใช้เครื่องเมื่อมือเปียกหรือบนพื้นที่มีน้ำหรือเปียก
- อย่าจุ่มชุดมอเตอร์ สายไฟ หรือปลั๊กในน้ำหรือของเหลวใดๆ
- วางเครื่องบนพื้นราบ มั่นคง ไหวห่างจากน้ำกระเซ็น
- อย่าทิ้งเครื่องไว้ขณะที่เสียบปลั๊กอยู่ แม่แต่ชั่วคราว โดยเฉพาะอย่างยิ่งเมื่อมีเด็กอยู่
- อย่าให้สายไฟแขวนในตำแหน่งที่เด็กเอื้อมถึง
- ปิดเครื่องและถอดปลั๊กก่อนเปลี่ยนชิ้นส่วนที่หามา ทำความสะอาดและดูแลรักษาเมื่อไม่ใช้งาน
- อย่าถอดปลั๊กเครื่องโดยการดึงที่สายไฟ
- อย่าให้สายไฟอยู่ใกล้หรือสัมผัสกับแหล่งความร้อน หรือขอบที่แหลมคม
- อย่าให้ลม ฝาน้ำคอป เน็กไท ฯลฯ ลอยอยู่เหนือเครื่องหรืออุปกรณ์ของเครื่องขณะใช้งาน
- รอให้ชิ้นส่วนที่เคลื่อนไหวได้ทั้งหมดหยุดนิ่งสนิทก่อนเปิดเครื่อง
- อย่าเปิดเครื่องหากชิ้นส่วนใดๆ, ขาดหายไป
- ใช้ที่กีดเพื่อดันส่วนผสมลงในทอเสมอ อย่าใส่นิ้ว เครื่องคว่ำ หรือวัตถุใดๆ ในช่อง
- หากเครื่อง “ขัดข้อง” ระหว่างทำงาน ปิดเครื่องแล้วถอดปลั๊กออก และตรวจสอบว่ามีส่วนผสมมากเกินไปหรือไม่
- เอาสิ่งกีดขวางออกด้วยความระมัดระวังแล้วค่อยเสียบปลั๊กใหม่
- อย่าใช้เครื่องหากทำงานผิดปกติ หากเครื่องชำรุด หรือสายไฟหรือปลั๊กชำรุด เพื่อความปลอดภัย
- ตกลงนำไปให้ศูนย์บริการที่ได้รับการรับรองเปลี่ยนใหม่
- การดำเนินการใดนอกเหนือจากการทำความสะอาดและดูแลรักษาตามปกติของลูกต้อง
- ต้องดำเนินการโดยศูนย์บริการที่ได้รับการรับรอง
- เพื่อความปลอดภัย ใช้อุปกรณ์และอะไหล่ซึ่งออกแบบเฉพาะสำหรับเครื่องจากบริษัทผู้ผลิต

## ก่อนใช้งานครั้งแรก

เขย่าบรรจุภัณฑ์ทั้งหมดออกแล้ววางบนโต๊ะที่มีนุ่นคงและทันทวนก่อนเริ่มใช้เครื่อง  
 วางชิ้นส่วนที่ถอดได้ทั้งหมด ลงในสะอาด แล้วทำให้แห้ง ใดแก ทีกัด (A) ทอใส่อาหาร (B)  
 เกลียวกัด (C) ตัวกรอง (D และ E) ลินสำหรับช่องปล่อยกาก (F) โถ (G) ถาดรองน้ำผักผลไม้  
 และช่องปล่อยน้ำ พรอมระบบกันน้ำหยด (H และ I) และโถ (N)

## การใช้เครื่อง Fig. 1 ถึง 7

ประกอบเครื่องดังที่ระบุไว้ตามภาพ แล้วเลือกตัวกรองตามสิ่งที่ต้องการเตรียม:  
 ตัวกรองน้ำผักผลไม้ (D – สีชมพู) มีรูเล็ก ๆ เพื่อทำน้ำผักผลไม้  
 ตัวกรองแบบหยาบสำหรับคั้นเนื้อ (E – สีแดงเข้ม) มีรูกว้างเพื่อเตรียมของที่มีความข้นกว่า  
 - ระหว่างการประกอบชิ้นส่วน  
 ให้ตรวจสอบว่าลินสำหรับช่องปล่อยกากอยู่ในตำแหน่งที่ถูกต้องบนตัวกรอง (fig.1)

## การใช้งาน

ก่อนใช้, ล้างผลิตภัณฑ์สำหรับเตรียมอาหารให้สะอาด  
 เตรียมส่วนผสมทั้งหมดที่จะคั้น ไม่ตมองปอกเปลือกหรือเอาเมล็ดออกสำหรับผลไม้และผักส่วนใหญ่  
 ปอกเปลือกเฉพาะที่มีผิวหนา (จำพวกสมและมะนาว กลวย สับปะรด เมลอน ลูกเสาวรส ฯลฯ)  
 เอาเมล็ดออก (สำหรับลูกพีช แอปปริคอตทุ มะม่วง ฯลฯ) แลวแกนแข็งของสับปะรด  
 หั่นผลไม้และผักให้มีขนาดเล็กพอใส่ในช่องใส่อาหาร  
 อยาใส่เมล็ดผลไม้ลงไป โดยเฉพาะอย่างยิ่งของที่แข็ง (ก่อนหน้าแข็ง ก่อนหน้าตาล)  
 โดยเฉพาะอย่างยิ่งอาหารที่มีเส้นใย หรือเนื้อ ในเครื่องสกัดน้ำผักผลไม้

วางโถใบหนึ่ง (N) ด้านล่างของช่องปล่อยน้ำแบบหยุด (I) และโถอีกใบหนึ่ง (N) ใต้ช่องปล่อยกาก (K) เพื่อเก็บเนื้อผลไม้ (fig. 8) ต้องให้เทของที่อยู่ในโถออกเมื่อเต็มแล้ววางโถของปล่อยกาก กุดปุ่ม เริ่ม/หยุด (M) เพื่อเปิดเครื่อง ใส่อาหารในทอใส่อาหาร (B) แล้วกดโดยใช้ที่กด (A) ช่องปล่อยน้ำ, พรอมระบบกันน้ำหยุด (I) ต้องอยู่ในตำแหน่งกดลง (เพื่อปล่อยให้น้ำผักผลไม้ไหลออกมาได้)

**ต้องใส่ผลไม้และผักขณะที่มอเตอร์กำลังทำงานเท่านั้น**  
อย่าใช้นิ้วหรือวัตถุใดๆ กดอาหารผ่านช่องปล่อยน้ำผักผลไม้ อยากรีดที่กด (A) แรงเกินไป

เมื่อสวนผสมผ่านออกมา ปล่อยเครื่องทิ้งไว้สักครู่เพื่อให้ได้น้ำผักผลไม้มากที่สุด **ไม่ควรใช้เครื่องต่อเนื่องกันเกิน 20 นาที** หลังสกัดน้ำผักผลไม้ ให้ดันระบบกันน้ำหยุดขึ้นก่อนเอาโถออกเพื่อให้น้ำผักผลไม้หยุดไหล หากน้ำผักผลไม้มีฟอง สามารถประกอบตัวกรองฟอง (O) บนโถ (N) เพื่อเก็บฟองไว้ในโถเมื่อเทน้ำผักผลไม้ใส่แก้ว (fig. 9)

### เคล็ดลับการเลือกส่วนผสม:

- เลือกผลไม้และผักที่เหมาะสมกับการทำน้ำผักผลไม้มากที่สุด เช่น ส้ม แอปเปิล ลูกแพร์ สับปะรด องุ่น มะเขือเทศ แครอท ขึ้นฉ่าย แดงกวา บีทรูท
- เป็นการยากที่จะสกัดน้ำผักผลไม้จากผลไม้และผักบางชนิด เช่น กัลวี่ อะโวคาโด มะเขือ และมะเดื่อ
- เมื่อคั้นผลไม้ที่มีน้ำน้อย (เช่น กัลวี่) และพืชที่มีน้ำมันหอมระเหย ให้สลับกับผลไม้ที่มีน้ำหรือผักชนิดอื่น เพื่อให้สกัดได้ง่าย แล้วค่อยจบท้ายด้วยผลไม้หรือผักที่มีน้ำเยอะ
- เลือกคั้นพืชที่มีใบยาว (เช่น โบออนซาวาลี่) ให้ตัดใบไม้ออกเป็นชิ้นที่มีขนาด 3 เซนติเมตร เพื่อไม่ให้หนักจนกด คั้นพืชครั้งละ 400 กรัม
- นอกจากนี้ ยังสามารถใช้กับผลไม้แช่แข็งได้ โดยให้นำแช่แข็งละลายก่อนคั้น สามารถใช้กับผลไม้ที่มีน้ำหวาน (ลิ้นจี่ ลูกพีช ฯลฯ) ได้

## การทำความสะดวก

### ระหว่างการใช้งาน 2 ครั้ง

ล้างเครื่องโดยไม่ตองถอดออกโดยค่อยๆ รินน้ำใส่ในทอใส่อาหาร (B) แล้วเปิดเครื่อง วางโถเปล่า (N) ใต้ช่องปล่อยน้ำผักผลไม้ หลังจากนั้นก็สามารถทำน้ำผักผลไม้ต่อได้ทันที!

### หลังใช้งาน

#### ต้องทำความสะอาดทันทีหลังใช้งาน

ถอดปลั๊กเครื่องให้เรียบร้อย  
อย่าจุ่มชุดมอเตอร์ (L) สายไฟ หรือปลั๊ก ในน้ำหรือของเหลวใดๆ  
อย่านำชุดมอเตอร์ (L) ไปใส่ในเครื่องล้างจาน  
ถอดออกแล้วทำความสะอาดชิ้นส่วนที่ถอดออกได้ ได้แก่ ตัวกรอง (D-E) (หากจำเป็น ให้ใช้แปรง (P)) ลิ้นสำหรับช่องปล่อยกาก (F)  
(ไม่สามารถแยกจากตัวกรองได้แต่ถอดออกเพื่อทำความสะอาดได้ หากจำเป็น ให้ใช้ด้านหลังของปลายแปรง (P)) โถ (G) ถาดรองน้ำผักผลไม้ (H) ช่องปล่อยน้ำ พรอมระบบกันน้ำหยุด (I)  
ทำความสะอาดด้านในของเกลียวกด (C) ด้วยความระมัดระวัง หากจำเป็น ให้ใช้แปรง (P)  
ทำความสะอาดช่องปล่อยกาก (K) ด้วยฟองน้ำนุ่มชุบน้ำหมาดๆ  
ที่กด (A) ทอใส่อาหาร (B) โถ (G) เกลียวกด (C) ถาดรองน้ำผักผลไม้ (H) ช่องปล่อยน้ำ พรอมระบบกันน้ำหยุด (I) โถ (N) และตัวกรองฟอง (O) สามารถใส่ในเครื่องล้างจานได้

หากตัวกรอง (D/E) อุดตัน ให้ล้างด้วยน้ำอุ่นผสมน้ำยาทำความสะอาด แล้วใช้แปรง (P) หากตัวกรองที่ช่องเก็บกากอุดตัน ให้เอากากออกโดยใช้ปลายแปรงดันด้านหลัง (P) อย่าทำความสะอาดตาตรงหน้าผักผลไม้ (H) ซองปลอยน้ำ พรอมระบบกันน้ำหยุด (I) ส่วนที่เป็นพลาสติก (โล (G) ที่กอดอาหาร (A) ท่อใสอาหาร (B)) ด้วยฟองน้ำदानที่ใช้สำหรับขัด เคล็ดลับ: การถอดเกลียวกด (C) ออกจากตัวกรอง (D/E) หมุนทั้งสองชิ้นเข้าด้วยกันแล้วตกลงบนเกลียว

## หากเครื่องไม่ทำงาน

ปัญหา	การแก้ปัญหา
เครื่องไม่ติด	<ul style="list-style-type: none"> <li>- ตรวจสอบว่าประกอบชิ้นส่วนทั้งหมดอย่างถูกต้อง</li> <li>- ตรวจสอบว่าได้เสียบปลั๊กเครื่องแล้ว</li> <li>- ตรวจสอบว่าล็อกท่อใสอาหาร (B) ถูกต้อง</li> </ul>
เครื่องหยุดทำงานขณะที่กำลังทำงานอยู่: ไฟสีแดงกระพริบ	<ul style="list-style-type: none"> <li>- กดปุ่ม เริ่ม/หยุด (M) เพื่อปิดเครื่อง</li> <li>- เริ่มใช้งานเครื่องอีกครั้ง หากกลไกรักษาความปลอดภัยปิดเครื่องอีกครั้ง ให้เอาออกทำความสะอาด แล้วเปิดเครื่องใหม่อีกครั้ง</li> <li>- ตรวจสอบว่าเกลียวกด (C) ไม่ถูกขัด</li> </ul>
เครื่องดับ: ไฟสีเขียวกระพริบ	<ul style="list-style-type: none"> <li>- นี่คือการรักษาความปลอดภัย, ควรปล่อยให้เครื่องเย็นลงสักครู่ ทำความสะอาด แล้วเปิดเครื่องใหม่โดยกดปุ่ม เริ่ม/หยุด (M)</li> </ul>
สกัดน้ำผักผลไม้ได้น้อย	<ul style="list-style-type: none"> <li>- ทำความสะอาดเครื่องโดย ล้าง ล้างสิ่งสกปรกออก และทำให้แห้ง สำหรับท่อใสอาหาร (B) เกลียวกด (C) ตัวกรอง (D หรือ E) ลิ้นสำหรับซองปลอยกาก (F) โล (G) โล และซองปลอยน้ำ (H และ I)</li> <li>- ตรวจสอบว่าลิ้นสำหรับซองปลอยกาก (F) อยู่ในตำแหน่งที่ถูกตองบนตัวกรอง (เพื่อเก็บกาก) และอยู่ในสภาพที่ดี</li> </ul>
ปัญหาเกี่ยวกับการกันน้ำรั่ว	<ul style="list-style-type: none"> <li>- ตรวจสอบว่าประกอบชิ้นส่วนทั้งหมดอย่างถูกต้อง โดยเฉพาะอย่างยิ่ง “ซองปลอยน้ำ พรอมระบบกันน้ำหยุด” (I)</li> </ul>

## เมื่อผลิตภัณฑ์ไฟฟ้าและอิเล็กทรอนิกส์หมดอายุ



เมื่อผลิตภัณฑ์ไฟฟ้าและอิเล็กทรอนิกส์หมดอายุ

- ① เครื่องใช้ไฟฟ้าประกอบด้วยวัสดุอันมีค่าซึ่งสามารถนำมาใช้ใหม่ได้
- ➔ ควรทิ้งในจุดทิ้งขยะในพื้นที่ของท่าน

테팔 제품을 이용해 주셔서 감사합니다.

## 각부 명칭

A 누름봉	H 주스 추출구
B 3 분할 주입구	I 조절 가능 주스 추출구
C 압착봉 (스크루)	J 주스 배출구
D 복합주스 필터 (빨간색. 섬유질이 많고 단단한 과일류 사용)	K 잔여물 배출구
E 과일주스 필터 (주황색. 과육이 연하고 무른 과일류 사용)	L 모터 본체
F 찌꺼기 분리 출구	M 시작/정지 버튼
G 주스 용기	N 주스용기, 찌꺼기 분리 용기
	O 거품 분리기
	P 세정용 브러시

## 안전 주의 사항

- 제품을 처음 사용하기 전에 본 사용 설명서를 주의 깊게 읽고, 필요할 때 찾아 볼 수 있도록 손쉬운 곳에 보관해 두십시오. 사용 설명서에 정해진 용도 이외의 사용에 대해서는 제조사가 일체 책임지지 않습니다.
- 본 제품은 실내에서 가정용으로만 사용하도록 설계된 제품입니다. 상업적 용도로 사용하거나 잘못된 용도로 사용하는 경우, 또는 사용 설명서 지시를 따르지 않는 경우 제조사는 일체 책임지지 않으며 품질 보증이 적용되지 않습니다.
- 본 제품은 아래와 같은 용도로 설계된 제품이 아니며, 아래와 같은 용도와 영업목적으로 사용할 경우 품질 보증이 적용되지 않습니다.
  - 매장, 사무실 및 기타 직장 환경 내 직원용 주방.
  - 농장.
  - 호텔 또는 모텔, 또는 그 외 숙박 시설 투숙객.
  - 민박 시설 또는 그와 유사한 시설.
- 본 제품은 본 제품을 안전하게 사용하고 제품 사용에 따른 위험 요소를 이해할 수 있도록 사용 방법을 교육 받고 감독하는 사람이 있는 경우에 한해 최소 8세 이상의 어린이, 사용경험이 없거나 사용 방법을 모르는 사람, 또는 신체적, 감각적 또는 정신적 장애가 있는 사람이 사용할 수 있습니다. 어린이가 제품을 가지고 장난치지 못하도록 해야 합니다. 어린이는 최소 8세 이상이고 감독하는 사람이 있는 경우를 제외하고 제품을 세척하거나 수리하려고해서는 안 됩니다.
- 제품과 전원 코드는 8세 미만 어린이의 손이 닿지 않는 곳에 보관하십시오.
- 어린이가 사용할 때는 제품을 가지고 장난치지 않도록 반드시 지켜 보아야 합니다.
- 사용자의 안전을 위해 본 제품은 해당 표준과 규정(저전압, 전자기 적합성, 식품 접촉 소재, 환경 등에 관한 디렉티브)을 준수합니다.
- 본 제품은 교류(AC) 전용 제품으로 설계되었습니다. 제품을 처음 사용하기 전에 가정 내 공급 전원 전압이 제품의 사용 정보에 기재되어 있는 전압과 일치하는지 확인하십시오.
- 전압을 잘못 연결해 사용할 경우 품질 보증 혜택을 받을 수 없습니다.
- 다양한 표준이 사용되고 있다는 점을 감안할 때, 본 제품을 구입한 국가가 아닌 다른 국가에서 사용할 경우 지정 서비스 센터에서 점검을 받도록 하십시오.
- 전원 연장선은 사용하지 마십시오. 본인이 사용에 대한 책임을 지는 경우, 상태가 양호하고, 접지된 플러그가 있으며, 본 제품의 정격 전원에 적합한 연장선만 사용하십시오.
- 본 제품은 외부 타임 스위치 또는 별도의 원격 제어 장치를 사용해 작동하도록 설계된 제품이 아닙니다.
- 감전 위험을 방지하려면 절대 제품을 젖은 손으로 만지거나, 또는 물기 있거나 젖은 표면

에서 사용하지 마십시오. 절대 모터 본체, 전원 코드 또는 플러그를 물이나 다른 액체에 담그지 마십시오.

- 제품은 물이 튀는 곳에서 멀리 떨어진 평평하고 안정적인 표면에 두고 사용하십시오.
- 제품이 콘센트에 연결되어 있는 동안은 특히 어린이가 같이 있는 경우 잠시 동안이라도 절대 그냥 두고 나가지 마십시오.
- 어린이의 손이 닿을 수 있는 곳에 전원 코드가 늘어져 있게 두지 마십시오.
- 연결 부속품을 교체하거나 청소 & 유지관리 작업을 하기 전, 그리고 사용 중이 아닌 경우에는 항상 제품의 스위치를 끄고 전원 코드를 뽑아 두십시오.
- 절대 전선을 당겨 전원 코드를 뽑지 마십시오.
- 전원 코드가 열원 또는 날카로운 모서리 부분에 가까이 놓이거나 닿지 않도록 하십시오.
- 제품 작동 중에 긴 머리카락, 스카프, 넥타이 등이 제품 또는 연결 부속품 위로 걸리지 않게 하십시오.
- 제품을 열 때는 움직이는 부분이 모두 정지할 때까지 기다리십시오.
- 부속품 중 빠진 부속품이 있는 경우 제품을 작동시키지 마십시오.
- 재료를 주입구로 넣을 때는 항상 누름봉을 사용하십시오. 절대 손가락, 식기류 또는 그 외 다른 물체를 주입구에 넣지 마십시오.
- 작동 중에 제품이 걸려 움직이지 않는 경우, 스위치를 끄고 전원 코드를 뽑은 다음 재료가 너무 많이 들어간 것은 아닌지 확인하십시오. 걸린 내용물을 모두 제거한 다음에 다시 연결하십시오.
- 제품이 제대로 작동하지 않는 경우, 손상된 경우, 또는 전원 코드나 플러그가 손상된 경우 제품을 사용하지 마십시오. 안전을 위해서 이러한 부속품들은 모두 지정 서비스 센터에서 교체해야 합니다.
- 일상적인 세척과 사용자의 기본적인 관리 이외에 일체 작업은 반드시 지정 서비스 센터에서 받으셔야 합니다.
- 사용자의 안전을 위해 해당 제품용으로 제품 제조사가 설계-제작한 부속품과 부품만 사용하도록 하십시오.

## 제품을 처음 사용하기 전에

포장을 풀고 제품을 꺼내서 평평하고, 단단하며 안정적인 작업대 위에 놓은 다음 완전히 분해합니다. 제품을 사용하기 전에 반드시 포장재를 모두 제거해야 합니다. 분리 가능한 구성품은 모두 세척해 행군 다음 꼼꼼하게 말립니다: 누름봉(A), 3 분할 주입구 (B), 압착봉(C), 필터(D와 E), 찌꺼기 분리 출구(F), 주스 용기(G), 주스 추출구와 조절 가능 주스 추출구 (H와 I), 용기(N).

## 제품 사용 방법 Fig. 1 - 7

그림에 나와 있는 대로 제품을 조립하고 원하는 조리 방법에 따라 필터를 선택합니다: 과육이 단단하고 섬유질이 많은 과일 주스를 만들 때는 주황색 필터 사용(D - 주황색). 과육이 연하고 무른 과일 주스를 만들 때는 빨간색 필터 사용 (E - 붉은색). 조립할 때는 잔여물 망이 필터 위에 제대로 끼워져 있는지 확인하십시오(fig. 1).

## 사용법

**사용하기 전에 가공 식품은 모두 꼼꼼히 세척하십시오.**

주스를 만들 재료를 전량 준비하십시오. 대부분의 과일이나 야채는 껍질을 벗기거나 씨를 제거할 필요가 없습니다. 껍질이 두꺼운 야채/과일(감귤류, 바나나, 파인애플, 멜론, 패션프루트 등)만 껍질을 제거하시면 됩니다. 딱딱한 씨(복숭아, 살구, 망고 등)와 파인애플의 단단한 중심부는 제거하십시오.

너무 커서 주입 튜브를 통과하기 힘든 경우가 없도록, 음식을 주입구에 투입될 수 있도록 잘게 잘라 주십시오..

딱딱한 과일 씨, 지나치게 단단한 재료(각얼음, 각설탕), 섬유질이 극히 많은 식품, 또는 육류는 절대 주스기에 넣지 마십시오.

용기 중 하나(N)는 조절 가능 주스 추출구 (I) 아래에 놓고, 다른 하나(N)는 잔여물 배출구 (K)에 놓아 주스가 모이도록 합니다(fig. 8). 잔여물 배출구 아래 놓은 용기에 찌꺼기가 가득 차면 찌꺼기 용기를 비워 주십시오.

시작/정지 버튼(M)을 눌러 주서기를 작동시킨 다음, 3 분할 주입구(B)로 재료를 넣고 누름봉(A)를 사용해 재료를 밀어넣습니다. 조절 가능 주스 추출구 (I)가 아래로 내려가 있는지 확인해 주십시오.

**과일과 야채는 반드시 모터 작동 중에 삼입하셔야 합니다.**

절대 손가락이나 다른 주방 기구를 사용해서 재료를 3분할 주입구로 통과시키려 하지 마십시오.

누름봉(A)를 너무 세게 누르지 마십시오.

일단 재료가 통과하고 나면 주서기를 몇초 간 더 작동시켜서 주스가 최대한 많이 나오도록 합니다.

주서기는 20분 이상 계속 작동시키지 않는 것이 좋습니다.

주서를 만든 후에는 주스가 계속 흘러나오지 않도록 용기를 분리하기 전에 주스 추출구를 위로 올려서 조절가능 주스 추출구를 조절합니다.

주스에 거품이 있는 경우 용기(N)에 거품 분리기(O)를 장착해 주스를 잔에 부을 때 거품은 용기 안에 남아 있도록 할 수 있습니다(fig. 9).

## 유용한 재료 선택 팁

- 오렌지, 사과, 배, 파인애플, 포도, 토마토, 당근, 셀러리, 오이, 비트뿌리 같이 즙 짜기에 좋은 야채와 과일을 선택합니다.
- 바나나, 아보카도, 가지, 무화과처럼 즙을 추출하기가 힘든 과일/야채도 있습니다.
- (바나나처럼) 즙이 적은 과일이나 방향성 허브 즙을 짤때는 즙이 많은 다른 과일이나 야채와 번갈아 짜면 즙짜기가 더 쉽습니다. 항상 마무리는 즙이 많은 과일이나 야채로 하십시오.
- 잎이 긴 허브 즙을 짤때는, 잎을 3cm 정도 길이로 잘라서 압착봉을 주위로 말려 영키지 않도록 합니다. 허브는 한 번에 최대 400g까지 즙을 짤 수 있습니다.
- 제철이 아닌 경우 냉동 과일도 사용할 수 있습니다. 즙을 짜기 전에 완전히 해동시키도록 하십시오. 또 (리치, 복숭아 등) 시럽이 든 과일도 사용할 수 있습니다.

## 세척

### 재료를 바꿀 때

주서기를 분해할 필요 없이, 주서기를 켜 상태에서 3 분할 주입구(B)로 서서히 물을 부어 넣어 헹궈 내기만 하면 됩니다. 이 때 반드시 주스 배출구 아래에 빈 용기(N)를 놓아 두어야 합니다. 그런 다음 바로 다음 재료로 주스를 만드실 수 있습니다!

### 사용 후

사용 후에는 분리가 가능한 구성품을 모두 세척해야 합니다.

주서기 전원 코드를 뽑습니다.

절대 모터 본체(L), 전원 코드 또는 플러그를 물이나 다른 액체에 담그지 마십시오.

모터 본체(L)를 식기세척기 안에 넣고 세척하지 마십시오.

분리 가능한 구성품은 모두 분리해 세척합니다: 필터(D-E)(필요한 경우 브러시(P) 사용), 찌꺼기 분리 출구(F)(필터에서 분리할 수 없지만 움직여 세척은 가능. 필요한 경우 브러시(P) 반대쪽 끝 사용), 주스용기(G), 조절 가능 주스 추출구 (I)가 있는 주스 추출구(H).

압착봉(C) 내부도 조심스럽게 청소하고 필요한 경우 브러시(P)를 사용합니다.  
 잔여물 배출구(K)는 약간 물기가 있는 부드러운 스펀지를 사용해 닦습니다.  
 누름봉(A), 3 분할 주입구(B), 주스 용기(G), 압착봉(C), 조절 가능 주스 추출구 (I)가 있는 주스 채집기(H), 용기(N), 거품 분리기(O)는 모두 식기세척기에 넣어 세척할 수 있습니다. 필터(D/E)가 막힌 경우 세제와 따뜻한 물로 애벌 세척한 다음 브러시(P)로 청소합니다. 필터 잔여물 배출구가 막힌 경우 브러시(P)의 반대쪽 끝을 사용해 잔여물을 제거합니다.  
 주스 채집기(H), 조절 가능 주스 추출구 (I), 플라스틱 소재 구성품(주스용기(G), 재료 누름봉(A), 3 분할 주입구(B)는 스펀지의 거친면으로 닦지 마십시오.  
 팁: 필터(D/E)에서 압착봉(C)을 분리하려면 두 가지를 같이 돌린 다음 봉을 누르면 됩니다.

## 제품이 작동하지 않을 때 문제 해결 방법

문제	해결 방법
쥬서기 전원 버튼을 눌러도 작동되지 않습니다.	구성품들이 모두 올바르게 조립되었는지 확인합니다. 주스기 전원 코드가 제대로 연결되어 있는지 확인합니다. 3 분할 주입구(B)가 올바른 위치에 제대로 잠금 상태가 되어 있는지 확인합니다.
주스기가 작동 중에 갑자기 정지하고 적색등이 점멸합니다.	시작/정지 버튼(M)을 눌러 전원을 끕니다. 주스기를 다시 시작합니다. 안전 장치가 주스기 작동을 다시 중단시키는 경우, 주스기를 분해해 세척한 다음 다시 전원을 켜 보십시오. 압착봉(C)이 막혀 있지 않은지 확인합니다.
쥬서기 작동이 멈추고 전원표시등이 꺼질 경우.	안전 장치가 작동하는 것입니다. 몇분 동안 주스기가 식도록 둔 다음 세척한 후 시작/정지 버튼(M)을 눌러 다시 시작합니다.
나오는 주스 양이 적습니다.	주스기를 세척(세척, 헹굼, 건조)합니다: 3 분할 주입구(B), 압착봉(C), 필터(D와 E), 찌꺼기 분리 출구(F), 주스 용기(G), 용기(N), 주스 추출구와 조절 가능 주스 추출구(H와 I). 찌꺼기 분리 출구(F)이 필터 위에 올바르게 놓여 있고(잔여물을 걸러내는 용도) 상태가 양호한지 확인합니다.
누수발생이 된 경우	모든 구성품, 특히 조절 가능 주스 추출구 (I) 부분이 올바르게 조립되어 있는지 확인합니다.

## 수명을 다한 전기/전자 제품



환경을 생각합니다!

- ① 구입하신 제품에는 재사용 또는 재활용 가능한 소중한 자재가 포함되어 있습니다.
- ➔ 가까운 시민 폐기물 수집 장소로 가져 가십시오.



Terima kasih, Anda telah memilih peralatan Tefal.

## DESKRIPSI

- A** Pendorong
- B** Tabung Pengisi 3 bagian
- C** Tuas tekan
- D** Saringan jus
- E** Saringan saus
- F** Penjerat ampas (tidak dapat dipisahkan dari saringan)
- G** Mangkuk
- H** Penampung jus
- I** Corong dengan sistem hentian-tetes
- J** Saluran keluar jus
- K** Saluran keluar ampas
- L** Unit motor
- M** Tombol Start/Stop
- N** Wadah (satu untuk menampung ampas, dan satu lagi untuk menampung jus)
- O** Pemisah buih
- P** Sikat pembersih

## PETUNJUK KESELAMATAN:

- **Bacalah petunjuk penggunaan ini secara saksama sebelum menggunakan alat untuk yang pertama kali, dan simpan untuk referensi di waktu mendatang. Setiap penggunaan alat ini yang tidak mematuhi petunjuknya akan membebaskan produsen dari tanggung jawab apa pun.**
- Alat ini dirancang hanya untuk penggunaan rumah tangga. Dalam kasus penggunaan profesional, penggunaan yang tidak layak atau tidak mematuhi petunjuknya, produsen tidak bertanggung jawab dan jaminan tidak berlaku.
- Alat ini bukan dimaksudkan untuk digunakan dalam hal berikut ini, yang tidak tercakup oleh jaminan.
  - Di dapur yang diperuntukan untuk keperluan staf di toko, kantor dan profesi yang lain
  - Di perkebunan;
  - Digunakan oleh klien hotel atau motel, atau di tempat pemukiman lain;
  - Di penginapan 'bed and breakfast' dan lingkungan sejenis.
- Alat ini bisa digunakan oleh anak-anak berusia 8 tahun ke atas, atau oleh orang yang tidak mesti memiliki pengalaman atau pengetahuan, atau yang menderita cacat fisik, hambatan sensor saraf atau mental jika mereka sudah diberi pelatihan dan diawasi, untuk memastikan bahwa mereka menggunakan alat secara aman dan memahami bahaya yang ada. Anak-anak jangan dibiarkan bermain dengan alat. Anak-anak jangan mencoba membersihkan atau menyervis alat, kecuali mereka berusia sekurang-kurangnya 8 tahun atau lebih tua dan diawasi.
- Simpan alat dan kabel listriknya di tempat yang tidak bisa dijangkau anak-anak di bawah usia 8 tahun.
- Anak-anak harus diawasi untuk memastikan mereka tidak bermain-main dengan alat.
- Demi keselamatan Anda, alat ini telah memenuhi standar dan regulasi yang berlaku (Petunjuk tentang Tegangan Rendah, Kompatibilitas Elektromagnetis, Bahan yang bersinggungan dengan bahan makanan, Lingkungan, dll.).
- Alat ini didesain untuk berfungsi hanya dengan arus listrik bolak-balik (AC). Sebelum menggunakan untuk pertama kali, periksa apakah tegangan listrik Anda sama dengan yang tertera pada pelat data alat.
- Kesalahan koneksi apa pun akan membatalkan jaminan.
- Mengingat efek standar yang beragam, jika alat ini digunakan di negara lain yang bukan merupakan negara asal alat tersebut dibeli, periksakanlah alat di Pusat Servis Resmi.
- Jangan gunakan rangkaian sambungan listrik. Jika Anda terpaksa harus melakukannya, hanya gunakan rangkaian sambungan listrik yang kondisinya baik, dilengkapi steker yang mempunyai pembuangan listrik ke tanah dan sesuai dengan ukuran daya alat tersebut.
- Alat ini tidak dimaksudkan untuk berfungsi dengan menggunakan sakral waktu eksternal atau sistem kontrol jauh yang terpisah.

- Untuk menghindari risiko sengatan listrik, jangan sekali-kali menggunakan alat dengan tangan basah atau pada permukaan yang lembap atau basah. Jangan sekali-kali merendam unit motor, kabel listrik atau steker di dalam air atau cairan lain apa pun.
- Gunakan alat pada permukaan yang datar, stabil, dan jauh dari percikan air.
- Jangan sekali-kali meninggalkan alat tanpa pengawasan sewaktu terhubung ke sumber listrik, meskipun hanya beberapa saat, terutama apabila ada anak-anak.
- Jangan biarkan kabel listrik menggantung dan dapat dijangkau oleh anak-anak.
- Selalu matikan dan cabut alat dari sumber listrik sebelum mengganti perlengkapan yang terpasang, membersihkan & merawat, atau saat tidak digunakan.
- Jangan sekali-kali mencabut steker alat dengan menarik kabel listriknya.
- Jangan membiarkan kabel listrik dekat atau mengenai sumber panas atau tepi yang tajam.
- Jangan membiarkan rambut panjang, scarf, dasi, dll., menggantung pada alat atau aksesorinya sewaktu alat/aksesori sedang digunakan.
- Tunggu sampai semua bagian bergerak berhenti sama sekali sebelum membuka alat.
- Jangan mengoperasikan alat jika ada bagian yang hilang.
- Selalu gunakan pendorong untuk memandu bahan ke dalam corong. Jangan sekali-kali memasukkan jari, perkakas atau benda lain ke dalam corong.
- Jika alat "macet" sewaktu sedang bekerja, matikan, dan cabut dari sumber listrik, lalu periksa apakah terlalu banyak bahan yang dimasukkan. Dengan hati-hati, keluarkan/lepaskan benda apa pun yang menghalangi sebelum menghubungkan kembali kabel listriknya.
- Jangan gunakan alat jika tidak bekerja dengan benar, jika rusak atau kabel listrik atau stekernya rusak. Agar tetap aman, semua komponen harus diganti oleh Pusat Servis Resmi.
- Pengerjaan apa pun selain pembersihan dan perawatan yang biasa dilakukan oleh pelanggan harus dilaksanakan di Pusat Servis Resmi.
- Demi keselamatan Anda sendiri, hanya gunakan aksesoris dan suku cadang dari produsen alat, yang khusus dirancang untuk alat Anda.

## SEBELUM PERTAMA KALI MENGGUNAKAN

Keluarkan alat dari kemasannya, letakkan secara horizontal pada permukaan yang padat dan stabil, kemudian lepaskan semuanya. Pastikan Anda sudah mengeluarkan semua kemasan sebelum mulai menggunakan alat. Cuci semua komponen yang bisa dilepas, bilas dan keringkan dengan hati-hati: pendorong (**A**), tabung pengisi (**B**), tuas tekan (**C**), saringan (**D dan E**), penjerat ampas (**F**), mangkuk (**G**), penampung jus dan corong dengan hentian tetesan (**H dan I**), dan wadah (**N**).

## MENGGUNAKAN ALAT Grb. 1 - 7

Rakit alat seperti ditunjukkan pada gambar dan pilih saringan menurut persiapan yang dikehendaki:

Saringan jus (**D** - warna oranye) dengan lubang kecil untuk membuat jus.

Saringan cerat (**E** - warna raspberry) dengan lubang yang lebih lebar untuk membuat bahan yang disiapkan lebih kental, seperti coulis (semacam saus).

- Sewaktu merakit, pastikan penjerat ampas diposisikan dengan benar pada saringan (**gbr. 1**).

## GUNAKAN

**Sebelum menggunakan, cuci semua produk makanan pra-olah dengan hati-hati.**

Siapkan jumlah bahan yang akan diperas. Sebagian besar buah dan sayuran tidak perlu dikupas atau dibuang bijinya. Hanya kupas yang kulitnya tebal (buah jeruk, pisang, nanas, melon, markisa...). Keluarkan bijinya (peach, aprikot, mangga) dan bagian yang keras pada nanas.

Potong-potong buah dan sayuran yang terlalu besar sehingga dapat masuk melalui tabung pengisi.

Jangan sekali-kali menaruh biji buah, makanan yang sangat keras (es batu, gula kubus), makanan yang sangat berserat, atau daging ke dalam alat jus.

Letakkan satu wadah (**N**) di bawah corong (**I**) dan wadah lainnya (**N**) di bawah alur keluar ampas (**K**) untuk menampung bubur buah/sayuran (**gbr. 8**). Ingatlah untuk mengosongkan wadah di bawah alur keluar ampas setelah penuh.

Tekan tombol Start/Stop (**M**) untuk menghidupkan alat, taruh makanan dalam tabung pengisi (**B**) kemudian dorong makanan ke bawah menggunakan pendorong (**A**). Pastikan bahwa corong (**I**) berada pada posisi "Low" (aliran jus).

**Buah dan sayuran hanya boleh dimasukkan sewaktu motor sedang berjalan.**

**Jangan sekali-kali menggunakan jari atau benda lain untuk mendorong makanan melalui corong.**

**Jangan menekan pendorong terlalu keras (A).**

Setelah bahan-bahan melintasi corong, biarkan alat berputar selama beberapa detik untuk memperoleh jumlah jus yang maksimum.

**Kami anjurkan Anda tidak menggunakan alat secara terus-menerus selama lebih dari 20 menit.**

Setelah membuat jus, aktifkan sistem hentian tetesan dengan mendorong corong ke atas sebelum melepaskan wadah untuk menghentikan aliran jus.

Jika jus mengandung buih, Anda dapat memasang aksesoris pemisah buih (**O**), pada wadah (**N**) sehingga Anda dapat menyimpan buih di dalam wadah sewaktu menuangkan jus ke gelas (**gbr. 9**).

## Saran praktis ketika memilih bahan:

- Pilih buah dan sayuran yang terbaik untuk jus, seperti jeruk, apel, pear, nanas, anggur, tomat, wortel, seledri, mentimun, buah bit.
- Pada sebagian buah dan sayuran, seperti pisang, alpukat, terong dan buah ara, Anda akan sulit memeras jusnya.
- Apabila memeras buah yang tidak banyak mengandung jus (seperti pisang) dan rempah aroma, gantilah dengan buah atau sayuran lain yang lebih berair sehingga mudah memerasnya. Selalu diakhiri dengan buah atau sayuran yang mengandung banyak air.
- Apabila memeras rempah Daun Panjang (seperti wheatgrass), potong Daun sepanjang 3 cm agar daun tidak melilit di sekeliling tuas tekan. Peras maksimum 400 g rempah setiap kali.
- Di luar musim, Anda dapat menggunakan buah beku. Biarkan buah hingga lunak seluruhnya sebelum memeras. Anda juga dapat menggunakan buah dengan sirup (Leci, peach...).

## MEMBERSIHKAN

### Di antara 2 persiapan

Alat cukup dibilas tanpa membongkarnya, dengan cara menuangkan air secara bertahap ke dalam corong isi (**B**), sewaktu alat dihidupkan. Pastikan Anda telah menempatkan wadah kosong (**N**) di bawah alur jus keluar. Selanjutnya, Anda dapat segera membuat jus yang lain!

### Setelah menggunakan

**Pembersihan harus segera dikerjakan sesuai menggunakan alat.**

Pastikan alat sudah dicabut dari sumber listrik.

Jangan sekali-kali merendam unit motor, (**L**), kabel listrik atau steker di dalam air atau Cairan lain apa pun.

Jangan menaruh unit motor (**L**) di dalam mesin cuci pecah-belah.

Lepaskan komponen, dan bersihkan semua bagian yang dapat dilepas: saringan (**D-E**) (jika perlu, gunakan sikat) (**P**), penjerat ampas (**F**) (tidak dapat dipisahkan dari saringan, tapi bisa dilepas untuk

membersihkannya; jika perlu, gunakan ujung belakang sikat (**P**)), mangkuk (**G**), penampung jus (**H**) dengan corong yang dilengkapi hentian tetesan (**I**).

Pastikan membersihkan bagian dalam tuas (**C**) dengan hati-hati, jika perlu, gunakan sikat (**P**).

Bersihkan alur keluar ampas (**K**) dengan spons non-abrasif yang agak dilembapkan.

Pendorong (**A**), tabung pengisi (**B**), mangkuk (**G**), tuas (**C**), penampung jus (**H**) dengan corong yang dilengkapi hentian tetesan (**I**), wadah (**N**), dan pemisah buih (**O**) semuanya dapat dimasukkan ke dalam mesin cuci pecah-belah. Jika saringan (**D/E**) tersumbat, cuci dulu dengan air hangat dan sabun cair, lalu gunakan sikat (**P**). Jika alur keluar ampas pada saringan tersumbat, buang ampas dengan menggunakan ujung belakang sikat (**P**).

Jangan bersihkan penampung jus (**H**), corong dengan hentian tetesan (**I**), komponen plastik (mangkuk (**G**), alat peras makanan (**A**), tabung pengisi (**B**)) dengan sisi abrasif spons.

Saran: Untuk mengeluarkan tuas (**C**) dari saringan (**D/E**), putar keduanya secara bersama, kemudian tekan tuasnya.

## PENYELESAIAN MASALAH

MASALAH	SOLUSI
Alat tidak mau hidup.	<ul style="list-style-type: none"><li>- Pastikan semua komponen sudah dirakit dengan benar.</li><li>- Pastikan alat sudah dicolokkan dengan benar.</li><li>- Periksa apakah tabung pengisi (<b>B</b>) sudah terkunci dengan benar dalam posisinya.</li></ul>
Alat berhenti mendadak sewaktu bekerja: lampu merah berkedip-kedip	<ul style="list-style-type: none"><li>- Tekan tombol Start/Stop (<b>M</b>) untuk mematikan alat.</li><li>- Jalankan lagi alat. Jika mekanisme pengaman mematikan lagi alat, lepaskan alat, bersihkan dan hidupkan lagi.</li><li>- Pastikan tuas (<b>C</b>) tidak terhalangi.</li></ul>
Alat mati: lampu putih berkedip-kedip	<ul style="list-style-type: none"><li>- Ini adalah mekanisme pengaman. Kami anjurkan agar alat dibiarkan sampai dingin selama beberapa menit, bersihkan, kemudian jalankan lagi dengan menekan tombol Start/Stop (<b>M</b>).</li></ul>
Hasil perasan jus tidak bagus	<ul style="list-style-type: none"><li>- Bersihkan alat: cuci, bilas dan keringkan: tabung pengisi (<b>B</b>), tuas tekan (<b>C</b>), saringan (<b>D</b> atau <b>E</b>), penjerat ampas (<b>F</b>), mangkuk (<b>G</b>), wadah dan corong (<b>H</b> dan <b>I</b>).</li><li>- Pastikan bahwa penjerat (<b>F</b>) sudah diposisikan dengan benar pada saringan (untuk menampung ampas) dan dalam kondisi baik.</li></ul>
Masalah terkait kedadapan air	<ul style="list-style-type: none"><li>- Periksa apakah semua komponen sudah dirakit dengan benar, terutama 'corong dengan hentian tetesan (<b>I</b>).</li></ul>

## DAN DI MASA AKHIR PEMAKAIAN PRODUK LISTRIK ATAU ELEKTRONIK



### Pikirkan soal Lingkungan!

- ① Alat Anda mengandung banyak bahan yang dapat dipulihkan atau didaur ulang.
- ➔ Tinggalkan alat di pusat pengumpulan limbah rumah-tangga setempat.

Chúng tôi cảm ơn bạn đã lựa chọn một sản phẩm gia dụng của Tefal.

## MÔ TẢ

- A** Ống nhỏ
- B** Ống nạp gồm 3 phần
- C** Cuống dao
- D** Lọc nước hoa quả
- E** Lọc trái cây xay
- F** Khoang chứa bã (không tách được khỏi bộ phận lọc)
- G** Bát
- H** Bộ phận thu nhận nước hoa quả
- I** Ống máng có hệ thống nhỏ giọt
- J** Đường ra của nước hoa quả
- K** Đường ra của bã
- L** Thân máy
- M** Nút Start/Stop
- N** Các bình (một để chứa bã và một để chứa nước quả)
- O** Bộ phận tách bọt
- P** Bàn chải vệ sinh

## HƯỚNG DẪN AN TOÀN

- **Hãy đọc kỹ hướng dẫn trước khi sử dụng máy của bạn lần đầu tiên và giữ lại để tham khảo sau này. Bất kỳ việc sử dụng nào không tuân thủ theo hướng dẫn sẽ khiến nhà sản xuất không phải chịu trách nhiệm gì.**
- Máy này được thiết kế chỉ để sử dụng trong nhà tại hộ gia đình. Trong trường hợp máy được sử dụng chuyên nghiệp, sử dụng không đúng mục đích hoặc không tuân thủ theo hướng dẫn, nhà sản xuất không chịu trách nhiệm và phiếu bảo hành không được áp dụng.
- Máy không nhằm sử dụng trong các trường hợp sau đây, và phiếu bảo hành không áp dụng với các trường hợp này.
  - Trong các bếp ăn dành cho nhân viên của các cửa hàng, văn phòng và các môi trường nghề nghiệp khác;
  - Trong các trang trại;
  - Dành cho khách hàng của khách sạn, nhà nghỉ và các địa điểm lưu trú khác;
  - Phòng ngủ và ăn sáng và các môi trường tương tự khác.
- Máy phù hợp cho trẻ em 8 tuổi trở lên hoặc những người không có kinh nghiệm hoặc kiến thức cần thiết hoặc khuyết tật về thể chất, giác quan hoặc tâm thần nếu họ được tập huấn và được giám sát để bảo đảm rằng họ sử dụng máy một cách an toàn và hiểu những mối nguy hại của máy. Không được để trẻ em chơi với máy trừ các em từ 8 tuổi trở lên và có người giám sát.
- Xin hãy để máy và dây điện của máy ngoài tầm với của trẻ em dưới 8 tuổi.
- Trẻ em cần được giám sát để bảo đảm rằng chúng không nghịch máy.
- Vì sự an toàn của bạn, máy này đáp ứng các tiêu chuẩn và quy định có liên quan (Các chỉ thị về Điện áp thấp, Sự tương thích điện từ, Các nguyên liệu tiếp xúc với thực phẩm, Môi trường, và văn.)
- Máy này được thiết kế chỉ để vận hành với dòng điện xoay chiều. Trước khi sử dụng máy lần đầu tiên, hãy kiểm tra xem điện áp lưới điện cung cấp có phù hợp với điện áp được chỉ rõ trên bảng số liệu của máy hay không. Bất kỳ lỗi cắm điện nào cũng sẽ làm mất giá trị bảo hành.
- Do có các tiêu chuẩn khác nhau được áp dụng, nên nếu máy được sử dụng ở quốc gia khác với nơi mua máy, hãy đưa máy đến kiểm tra tại một Trung tâm Dịch vụ được phê chuẩn.
- Không sử dụng dây kéo dài. Nếu bạn chấp nhận trách nhiệm về việc làm này, hãy chỉ sử dụng dây kéo dài còn tốt, có phích cắm tiếp đất và phù hợp với định mức công suất của máy.
- Máy này không nhằm vận hành với thiết bị hẹn giờ bên ngoài hoặc hệ thống điều khiển từ xa.
- Để tránh rủi ro điện giật, không bao giờ sử dụng máy khi tay ướt hoặc trên bề mặt ẩm ướt.

Không bao giờ nhúng thân máy, dây điện hoặc phích cắm vào nước hoặc bất kỳ chất lỏng nào khác.

- Hãy sử dụng máy trên bề mặt bằng phẳng, ổn định, tránh để nước bắn vào.
- Không bao giờ để máy không có người trông nom khi đang cắm điện, thậm chí chỉ trong vài giây, đặc biệt khi có mặt trẻ em xung quanh.
- Không để dây điện lơ lửng ở nơi trẻ em có thể với tới.
- Luôn tắt và rút máy khỏi nguồn điện trước khi thay các bộ phận đi kèm, vệ sinh hoặc bảo dưỡng máy, hoặc khi không sử dụng.
- Không bao giờ rút phích cắm bằng cách kéo dây.
- Không để dây điện gần hoặc tiếp xúc với các nguồn nhiệt hoặc các cạnh sắc.
- Không để tóc dài, khăn, cà vạt, vân vân, lơ lửng bên trên máy hoặc các bộ phận đi kèm khi đang sử dụng.
- Hãy chờ tất cả các bộ phận đang chạy dừng lại trước khi mở máy.
- Không vận hành máy nếu thiếu bất kỳ bộ phận nào.
- Luôn sử dụng ống nối để dẫn đường nguyên liệu vào phễu. Không bao giờ đưa ngón tay, đồ dùng hoặc bất kỳ vật nào khác vào phễu.
- Nếu máy của bạn “tắt” trong khi đang vận hành, hãy tắt máy, rút máy khỏi nguồn điện và kiểm tra xem có quá tải nguyên liệu hay không. Hãy thận trọng gỡ bỏ bất kỳ vật cản nào trước khi cắm lại điện.
- Không sử dụng máy nếu máy không hoạt động đúng cách, nếu máy bị hỏng hoặc dây điện hoặc phích cắm hỏng. Để đảm bảo an toàn, các bộ phận này phải được thay thế bởi Trung tâm Dịch vụ được phê chuẩn.
- Bất kỳ sự can thiệp nào khác ngoài việc làm vệ sinh và bảo dưỡng của khách hàng phải do Trung tâm Dịch vụ được phê chuẩn tiến hành.
- Vì sự an toàn của bạn, hãy chỉ sử dụng các phụ kiện và phụ tùng dự phòng của nhà sản xuất máy được thiết kế riêng cho máy của bạn.

## TRƯỚC KHI SỬ DỤNG LẦN ĐẦU TIÊN

Hãy bóc bao gói của máy và đặt máy trên bề mặt nằm ngang, cứng và ổn định, sau đó nhấc hẳn ra ngoài. Hãy bảo đảm rằng bạn đã gỡ tất cả bao gói trước khi bắt đầu sử dụng máy. Rửa tất cả các bộ phận có thể tháo rời, xả nước và lau khô cẩn thận: ống nối (**A**), ống nạp (**B**), cuống dao (**C**), các bộ lọc (**D và E**), khoang chứa bã (**F**), bát (**G**), bộ nhận thu nhận nước hoa quả và ống máng có hệ thống nhỏ giọt (**H và I**) và các bình (**N**).

## CÁCH SỬ DỤNG MÁY Hình 1 đến 7

Lắp ráp máy theo chỉ dẫn trong các hình vẽ và chọn bộ lọc để chế biến món nước quả như ý muốn:

Bộ lọc nước quả (**D** – màu da cam) với các lỗ nhỏ để làm nước hoa quả.

Bộ lọc trái cây xay (**E** – màu đỏ đậm) với các lỗ to hơn để làm các món đặc hơn như trái cây xay.

- Trong khi lắp ráp, hãy bảo đảm rằng khay chứa bã được đặt đúng vị trí trên bộ lọc (hình 1).

## SỬ DỤNG

**Trước khi sử dụng, hãy rửa sạch tất cả các thực phẩm sơ chế.**

Hãy chuẩn bị đủ lượng nguyên liệu cần ép. Hầu hết hoa quả và rau không cần gọt vỏ hoặc bỏ hạt. Chỉ gọt những loại hoa quả có vỏ dày (cam quýt, chuối, rứa, dưa hấu, chanh leo... Loại bỏ hạt cứng (trong quả đào, mận, xoài...) và lõi cứng của dứa.

Thái hoa quả và rau quả lớn cho vừa ông nạp.

Không bao giờ đưa vào hạt quả cứng, những thực phẩm quá rắn (các viên đá, viên đường), các thực phẩm quá nhiều sợi, hoặc thịt vào máy ép hoa quả của bạn.

Đặt một bình (N) dưới ống máng có hệ thống nhỏ giọt (I) và một bình khác (N) dưới đường ra của bã (K) để thu nhận bã (hình 8). Hãy nhớ đổ bình phía dưới đường ra của bã khi đầy.

Ấn nút Start/Stop (M) để bật máy, đặt thực phẩm vào ống nạp (B) và đẩy xuống dưới bằng ống nhồi (A). Bảo đảm rằng ống máng (I) ở vị trí Low (dòng nước qua).

**Hoa quả và rau phải được đưa vào khi mô-tơ đang chạy.**

**Không bao giờ sử dụng ngón tay và các dụng cụ khác để đẩy thực phẩm qua ống máng.**

**Không ấn quá mạnh lên ống nhồi (A).**

Khi nguyên liệu đã đi qua, hãy để cho máy xoay vài giây để nhận được lượng nước quả tối đa.

**Chúng tôi khuyên bạn không sử dụng máy liên tục quá 20 phút.**

Sau khi ép nước quả, hãy kích hoạt hệ thống nhỏ giọt bằng cách đẩy ống máng lên trước khi gỡ bình để chặn dòng nước quả ép chảy ra.

Nếu nước quả có bọt, bạn có thể lắp bộ phận tách bọt (O) lên trên bình (N), như vậy sẽ giúp bạn giữ bọt ở lại bên trong khi trút nước quả vào cốc (hình 9).

## Gợi ý thực hành khi chọn nguyên liệu:

- Chọn hoa quả và rau phù hợp nhất với việc ép nước như cam, táo, lê, dưa, nho, cà chua, cà rốt, cần tây, dưa chuột, củ cải đường
- Không tách được nước từ một số hoa quả và rau như chuối, bơ, cà tím và quả vả.
- Khi bạn ép quả ít nước (như chuối) và thảo mộc thơm, hãy xen kẽ với các hoa quả và rau có nhiều nước để làm tăng lượng chiết xuất được. Luôn luôn kết thúc bằng rau quả có nhiều nước.
- Khi bạn ép các loại Lá dài (như cỏ mì), hãy cắt lá thành khúc dài 3 cm để chúng không quấn vào cuống dao. Mỗi lần chỉ ép tối đa 400g thảo mộc.
- Trái mùa, bạn có thể sử dụng hoa quả đông lạnh. Hãy để chúng tan băng trước khi ép. Bạn cũng có thể sử dụng hoa quả ngâm si-rô (Vải, đào...).

## LÀM VỆ SINH

### Giữa hai lần chế biến

Có thể rửa máy mà không cần tháo rời bằng cách đổ nước từ từ vào ống nạp nguyên liệu (B), trong khi máy đang bật. Hãy bảo đảm rằng bạn đã đặt một bình rỗng (N) dưới đường ra của nước quả. Sau đó bạn có thể chế biến món nước quả ngay lập tức sau món kia!

### Sau khi sử dụng

**Cần phải làm vệ sinh ngay sau khi sử dụng.**

Hãy bảo đảm rằng máy đã được rút khỏi ổ điện.

Không bao giờ nhúng thân máy (L), dây điện hoặc phích cắm vào nước hoặc chất lỏng khác.

Không đưa thân máy (L) vào máy rửa bát.

Tháo rời và làm vệ sinh tất cả các bộ phận có thể tháo ra được: các bộ lọc (D-E) (nếu cần thiết, hãy sử dụng bàn chải (P)), khay đựng bã (F) (không thể tách rời khỏi bộ lọc nhưng có thể gỡ ra để làm vệ sinh; nếu cần thiết, hãy sử dụng mặt sau của bàn chải (P), bát (G), bộ phận thu nhận nước hoa quả (H) với ống máng có hệ thống nhỏ giọt (I).

Hãy bảo đảm làm sạch bên trong của cuống dao (C) một cách cẩn thận; nếu cần thiết, hãy sử dụng bàn chải (P). Làm sạch đường ra của bã (K) bằng miếng giẻ hơi ẩm và không giáp.

Ống nhồi (A), ống nạp (B), bát (G), cuống dao (C), bộ phận thu nhận nước quả (H) với ống máng có hệ thống nhỏ giọt (I), các bình (N), và bộ tách bọt (O) đều có thể đưa vào máy rửa bát. Nếu các

bộ lọc (**D/E**) bị tắc nghẽn, hãy rửa chúng trước bằng nước ấm và dung dịch rửa chén cùng với bàn chải (**P**). Nếu đường ra của bã bị tắc nghẽn, hãy loại bỏ bã bằng cách sử dụng mặt sau của bàn chải (**P**).

Không cọ rửa bộ phận thu nhận nước quả (**H**), ống máng có hệ thống nhỏ giọt (**I**), và các bộ phận bằng nhựa (bát (**G**), ống nhồi thực phẩm (**A**), ống nạp (**B**)) bằng mặt giáp của giẻ rửa bát.

Gợi ý: Để tách cuống dao (**C**) khỏi bộ lọc (**D/E**), hãy quay các bộ phận này vào nhau và sau đó ấn vào phía cuống dao.

## PHẢI LÀM GÌ NẾU MÁY CỦA BẠN KHÔNG HOẠT ĐỘNG

VẤN ĐỀ	GIẢI PHÁP
Máy không bật lên	- Hãy kiểm tra xem tất cả các bộ phận đã được lắp ráp đúng cách chưa. - Hãy kiểm tra xem máy được cắm đúng nguồn điện chưa. - Hãy kiểm tra xem ống nạp ( <b>B</b> ) đã được khóa đúng vị trí chưa.
Máy dừng đột ngột khi đang chạy; đèn đỏ sáng lên	- Ấn nút Start/Stop ( <b>M</b> ) để tắt máy. - Khởi động lại máy. Nếu cơ chế an toàn vẫn làm máy ngừng hoạt động, hãy tháo rời máy, làm vệ sinh và bật lại lần nữa. - Hãy kiểm tra xem cuống dao ( <b>C</b> ) có bị mắc kẹt hay không.
Máy tắt. Đèn trắng sáng lên	- Đây là cơ chế an toàn. Chúng tôi khuyên bạn để máy nguội đi trong vài phút, làm vệ sinh máy, sau đó khởi động lại bằng cách ấn nút Start/Stop ( <b>M</b> ).
Ép được ít nước quả	- Hãy làm vệ sinh máy: rửa sạch, xả nước và lau khô: ống nạp ( <b>B</b> ), cuống dao ( <b>C</b> ), bộ lọc ( <b>D</b> hoặc <b>E</b> ), khay bã ( <b>F</b> ), bát ( <b>G</b> ), các bình và ống máng ( <b>H</b> và <b>I</b> ). - Hãy kiểm tra xem khay ( <b>F</b> ) có được đặt đúng vị trí trên bộ lọc (để thu nhận bã) và đang trong tình trạng tốt hay không.
Các vấn đề có liên quan đến tính kín nước	- Hãy kiểm tra xem tất cả các bộ phận đã được lắp ráp đúng chưa, đặc biệt là ống máng có hệ thống nhỏ giọt ( <b>I</b> ).

## CÁC THIẾT BỊ ĐIỆN HOẶC ĐIỆN TỬ HẾT HẠN SỬ DỤNG



### Hãy nghĩ đến môi trường!

- ❶ Chiếc máy của bạn có chứa những nguyên liệu quý giá có thể tái sử dụng hoặc tái chế.
- ➡ Hãy bỏ nó ở địa điểm thu gom rác thải dân dụng địa phương.



Tefal Markalı bir ürün tercih ettiğiniz için teşekkür ederiz.

## CİHAZIN TANITIMI

<b>A</b> İttirici	<b>I</b> Damla önleyici sistemli dökme ağız
<b>B</b> Kapak ve boğaz	<b>J</b> Meyve suyu çıkışı
<b>C</b> Bastırma vidası	<b>K</b> Posa çıkışı
<b>D</b> Meyve/sebze suyu filtresi	<b>L</b> Motor bloğu
<b>E</b> Sos filtresi	<b>M</b> Açma/kapama anahtarı
<b>F</b> Posa dili (filtreden ayrılmaz)	<b>N</b> Sürahi
<b>G</b> Hazne	<b>O</b> Köpük durdurucu
<b>H</b> Kupel	<b>P</b> Temizleme fırçası

## GÜVENLİK TALİMATLARI

- **Çekirdekleri, sert besinleri (şeker, buz) veya aşırı lifli besinleri cihaza sokmayın. Et kıymak için kullanmayın.**
- **Cihazınızı ilk defa kullanmaya başlamadan önce kullanım kılavuzunu dikkatli bir şekilde okuyun.**
- **Cihazın kullanım kitapçığında belirtilenlere aykırı bir şekilde kullanılmasından doğacak durumlardan Tefal sorumlu değildir.**
- **Bu cihaz, gözetim altında olmadıkları veya güvenliklerinden sorumlu bir kişi tarafından cihazın kullanımı ile ilgili talimat almadıkları sürece zihinsel yetenekleri zayıf, fiziksel duyu kaybı veya tecrübe ve bilgi yetersizliği olan kişiler tarafından (çocuklar dâhil) kullanılmak üzere tasarlanmamıştır.**
- **Cihazla oynamadıklarından emin olmak için çocukların gözetim altında tutulmaları gerekir.**
- Cihazı açmadan önce, dönmekte olan parçaların tamamen durmasını bekleyin.
- Besinleri boğaz içinde itirmek için yalnızca ittiriciyi kullanın, asla parmaklarınızı, bir bıçak veya çatalı veya herhangi başka bir nesneyi kullanmayın.
- Cihazınızın besleme gerilim değerinin elektrik şebekesinininle uyumlu olduğunu kontrol edin.
- **Hatalı bağlantı gerçekleştirilmesi garantinin geçersiz kalmasına neden olacaktır.**
- Cihazınız sadece ev içerisinde, gözetim altında tutularak ve besin hazırlamada kullanım için tasarlanmıştır.
- Cihazı düz, temiz ve kuru bir zemin üzerinde kullanın.
- Cihazınızın aksesuarlarını takarken veya çıkarırken, çalışma sırasında bir sorunla karşılaştığınızda, her kullanım sonrasında, temizlik veya bakım öncesinde cihazınızın fişini prizden çıkarın.
- Cihazınızın aksesuarlarını takarken veya çıkarırken, çalışma sırasında bir sorunla karşılaştığınızda, her kullanım sonrasında, temizlik veya bakım öncesinde cihazınızı durdurun ve fişini prizden çıkarın. Çalışma sırasında hareketli parçalara dokunmayın.
- Düzgün çalışmayan veya hasar görmüş olan cihazı kullanmayın. Bu tip bir durumda bir Tefal yetkili servisine başvurun (yetkili servisler listesine bkz).
- Cihazın temizliği ve bakımı dışındaki tüm işlemlerin bir Tefal yetkili servisi tarafından gerçekleştirilmesi gerekmektedir.
- Elektrik kablosunun hasarlı olması durumunda cihazı kullanmayın. Herhangi bir tehlikeye mahal vermemek için, hasarlı unsurların bir Tefal yetkili servisi tarafından değiştirilmesini

TR

sağlayın (yetkili servisler listesine bkz).

- Cihazı, besleme kordonunu ve fişini suya veya bir başka sıvı içine sokmayın.
- Elektrik kordonunu çocukların ulaşamayacakları yerlerde muhafaza edin.
- Elektrik kordonunu cihazın sıcak yüzeyleriyle temas etmemesine, ısı kaynaklarının civarında veya keskin yüzeyler üzerinde bulunmamasına dikkat edilmelidir.
- Emniyetiniz için, sadece cihazınızla uyumlu olan Tefal aksesuarları ve yedek parçaları kullanın.
- Cihazın fişini asla kablosundan çekerek çıkarmayın.
- Cihazın veya parçaların hasarlı olması durumunda, cihazı kullanmayın.
- Herhangi bir parçanın eksik olması durumunda, cihazı kullanmayın.
- Çalışmakta olan cihazın üzerine uzun saç, kravat, eşarp vb. sarkıtmayın.
- Güvenliğiniz açısından, bu cihaz aşağıda belirtilen hususlara yönelik normlar ve resmi düzenlemelere uygun olarak üretilmiştir.
  - Alçak Gerilim Direktifi
  - Elektromanyetik Uyumluluk Direktifi
  - Çevre koruması Direktifi
  - Besinlerle temas halinde olan maddeleri konu alan Direktif.

## İLK KULLANIM ÖNCESİ

Cihazı ambalajından çıkarın ve sağlam ve dengeli bir çalışma tezgâhı üzerine yatay olarak yerleştirin, ardından tüm parçalarının montajını gerçekleştirin. Cihazı kullanmaya başlamadan önce, tüm ambalaj unsurlarının kaldırılmış olduğundan emin olun.

Takılıp çıkarılabilir tüm parçaları dikkatli bir şekilde yıkayın: İttirici (A), kapak ve boğaz (B), sıkma vidası (C), filtreler (D ve E), posa dili (F), hazne (G), kupel ve dökme ağzı (H ve I) sürahiler (N).

## KULLANMAYA BAŞLAMA Şekil 1 ila 7

Cihazı hazırlanacak malzemeye uygun filtreyi seçerek, çizimler üzerinde gösterildiği şekilde birleştirin.

Meyve/sebze suyu elde etmek için, küçük gözenekli izgaralı meyve/sebze filtresi (D- turuncu renkli).

Sos gibi daha koyu kıvamlı malzemeler elde etmek için, daha geniş gözenekli izgaralı sos filtresi (E - frambuaz renkli).

- Montaj sırasında, posa dilinin filtre üzerindeki yuvasına düzgün bir şekilde yerleştiğini kontrol edin (Şekil 1).

## KULLANIM

**Kullanmadan önce, kimyasal madde ile işleme tutulmuş olabilecek besin maddelerini özenli bir şekilde yıkayın.**

Sıkılacak malzemelerin tamamını hazırlayın. Meyve ve sebzelerin büyük bir kısmının kabuklarının soyulması veya çekirdeklerinin çıkarılması gerekmemektedir. Yalnızca kalın kabuklu malzemelerin (turunçgiller, muz, ananas, kavun, cennet elması vb.) kabuklarını soyun. Sert çekirdekleri (şeftali, kayısı, mango vb.) ve ananasın göbeğini de çıkarın.

Boğazdan geçemeyecek olan besinleri kesin.

Damla önleyici dökme ağzı altına bir sürahi (N) ve posa çıkışı altına ise başka bir sürahi (N) yerleştirin (Şekil 8).

Elde edilen meyve/sebze suyunda köpük varsa, meyve/sebze suyu çıkış ağzının altındaki

sürahinin içine yerleştirilmesi gereken, köpük önleme aksesuarını **(O)** kullanabilirsiniz **(Şekil 9)**. Cihazı çalıştırmak için açma/kapama **(M)** düğmesine basın, parçaları boğaz içine yerleştirin ve gerekirse ittiriciyi **(A)** kullanarak aşağı indirin. Dökme ağzının **(I)** aşağı konumda olduğundan (akış modu) emin olun.

**Boğaz içine malzemeleri asla parmaklarınızla veya herhangi bir alet ile ittirmeyin. Maksimum çalışma süresi 20 dakika olarak tavsiye edilir.**

Malzemelerin geçişlerini takiben, meyve/sebze sularının maksimum derecede toplanabilmesi için, cihazı birkaç saniye daha çalıştırmaya devam edin.

### **Malzeme seçimi üzerine tavsiyeler:**

- Taze meyveler ve sebzeler seçin. Tüm meyveler, sebzeler ve aromalı yeşillikler (suyu sıkılabilir meyveler ile kullanılan).
- Infiny Press Revolution ile kullanılabilirler. Bilhassa da elmalar, armutlar, portakallar, domatesler için farklı çeşitlerin tercih edilmesi gerekir.
- Az su içeren meyveleri sıkarken (örn. muz), sıkma işleminin kolaylaştırılabilmesi için sulu meyve ve sebzeleri dönüşümlü olarak kullanın. Sulu meyveler ve sebzeler ile tamamlayın.
- Uzun bitkileri sıkarken (örn. Buğday otu vb.), vidanın etrafına dolanmamaları için, önceden 3 cm.ler halinde kesin. Bir defada maksimum 400 gr yeşillik sıkın.
- Mevsim dışında, donmuş meyveleri kullanabilirsiniz. Sıkmadan önce buzlarının tamamen çözümlerini bekleyin. Ayrıca meyve şuruplarını da kullanabilirsiniz (litçi, şeftali vb.)

## **TEMİZLEME**

### **2 kullanım arasında**

Cihaz çalışma halindeyken boğazından azar azar su boşaltarak, cihazı parçalarına ayırmadan durulayabilirsiniz. Meyve/sebze suyu çıkışının altında boş bir sürahi **(N)** bulunduğundan emin olun. Başka bir meyve/sebze suyu ile karıştırın!

### **Kullanım sonunda**

**Temizlik işleminin kullanımdan hemen sonra gerçekleştirilmesi gerekmektedir.**

Cihazın fişinin prizden çıkarılmış olduğundan emin olun.

Motor blokunu **(L)** suya sokmayın; su geçirmez değildir.

Motor blokunu **(L)** bulaşık makinesinde yıkamayın.

Takılıp, çıkarılabilir kısımların tamamını çıkarın ve yıkayın: Filtreler **(D-E)** (gerekirse fırça **(P)** kullanın), posa dili **(F)** (filtrenin ayrılmaz parçasıdır, ancak temizlik için yuvasından çıkarılabilir, gerekirse fırçanın **(P)** tutacağına uç kısmını kullanın), hazne **(G)**, damla önleyici dökme ağızlı **(I)** kupel **(H)**.

Vidanın **(C)** iç kısmını, gerekirse fırça **(P)** kullanarak özenli bir şekilde temizleyin. Aşındırıcı özellikte olmayan, hafifçe nemlendirilmiş bir sünger ile posa çıkışını **(K)** temizleyin.

İttirici **(A)**, kapak ve boğaz **(B)**, hazne **(G)**, vida **(C)**, damla önleyici ağızlı **(I)** kupel **(H)**, sürahiler **(N)** ve köpük önleyici **(O)** bulaşık makinesinde yıkanabilir. Filtreler **(D/E)** kirlenmiş ise, fırçayı **(P)** kullanarak bir ön yıkama gerçekleştirin. Filtrenin posa çıkışı kirlenmiş ise, öncelikle fırçanın **(P)** sapının ucu ile posaları alın.

Damla önleyici ağızlı **(I)** kupeli **(H)**, plastik parçaları (Hazne **(G)**, ittirici **(A)**, kapak **(B)**) süngerin ovucu tarafıyla temizlemeyin.

İpucu: **(C)** filtreden **(D/E)** çıkarmak için, filtre ve vida ikilisini döndürün ve ardından vidanın üzerine basın.

## ÇİHAZINIZ ÇALIŞMIYOR İSE NE YAPMALISINIZ

SORUN	ÇÖZÜMLERİ
Çalışmıyor	- Tüm unsurların düzgün bir şekilde takılmış olduğundan emin olun. - Cihazınızın fişinin prize takılı olduğundan emin olun. - Kapağın <b>(B)</b> yerine düzgün bir şekilde kilitlemiş olduğunu kontrol edin.
Cihazın işleyiş halindeyken durması: Kırmızı ışık yanıp sönüyor	- Cihazı kapatmak için, açma/kapama <b>(M)</b> düğmesine basın. - Cihazınızı yeniden çalıştırın. Emniyet mekanizması yeniden devreye giriyor ise, cihazın parçalarını çıkarın, temizleyin ve cihazı yeniden çalıştırın. - Vidanın <b>(C)</b> sıkışmamış olduğundan emin olun.
Cihazın durdurulması: Beyaz ışık yanıp sönüyor	- Bu güvenlik nedeni ile devreye firen bir emniyet sistemidir; birkaç dakika boyunca cihazı soğumaya bırakmanızı, temizlemenizi ve Açma/Kapama <b>(M)</b> düğmesine basarak yeniden çalıştırmanızı öneriyoruz.
Malzemeler düzgün bir şekilde geçmiyor	- Cihazı temizleyin: Yıkayın, durulayın ve silin: kapak <b>(B)</b> , sıkma vidası <b>(C)</b> , filtre <b>(D veya E)</b> , posa dili <b>(F)</b> , hazne <b>(G)</b> , kupel ve damla önleyici ağız <b>(H ve I)</b> . - Dilin <b>(F)</b> filtre üzerine düzgün bir şekilde yerleştirildiğini (atık çıkışının üzerinin kapanması) ve sağlam durumda olduğunu kontrol edin.
Yalıtım sorunu	- Tüm parçaların, bilhassa da samlar önleyici ağzın <b>(I)</b> doğru bir şekilde takıldıklarını kontrol edin.

## KULLANIM ÖMRÜNÜ TAMAMLAMIŞ ELEKTRİKLİ VEYA ELEKTRONİK ÜRÜNLER



### Çevre korumasına katkıda bulunun!

- ❗ Cihazınız yeniden kullanılabilir veya geri dönüştürülebilir malzemeler içermektedir.
- ➡ Gerekli işlemlere tabi tutulabilmesi için, bu amaca yönelik oluşturulmuş toplama noktalarına veya bu tip kuruluşların olmaması halinde tescilli bir hizmet servisine teslim edin.

**EN**

p. 5 - 8

**ZH**

p. 9 - 12

**MS**

p. 13 - 16

**TH**

p. 17 - 20

**KO**

p. 21 - 24

**ID**

p. 25 - 28

**VI**

p. 29 - 32

**TR**

p. 33 - 36